

VOLMED

Serving Healthcare Since 1971



GENERAL SURGICAL INSTRUMENTS CATALOG

www.volmed.co.uk

About Us

With over 50 years of industry experience, VOLMED is a family-owned company specializing in the supply of high-quality surgical instruments to the medical and surgical markets across the United Kingdom, Europe, and globally. Our extensive expertise enables us to assist with project research and development, ensuring that we meet the evolving needs of our clients.

Our philosophy is simple: we treat our customers as we would like to be treated, which places customer satisfaction at the forefront of our priorities. This approach naturally aligns with our commitment to delivering products of the highest quality. Ultimately, our goal is to empower you to provide the best possible care and achieve improved health outcomes by streamlining the process of stocking your practice.

We take pride in the breadth of our product offerings, understanding that sourcing medical tools and surgical instruments from multiple suppliers can be both time-consuming and challenging. To address this, we strive to be your one-stop shop for all your requirements.

Our History

Our story began over 50 years ago within a family deeply rooted in the medical instrument manufacturing industry. The foundation of our thriving business was built by a team of highly ambitious professionals with expertise in producing plastic surgery, dental and surgical instruments.

Inspired by the potential for excellence, our founder established VOLMED, a company dedicated to providing outstanding customer service and high-quality products. Since then, our team of dedicated professionals has worked tirelessly to ensure that customers worldwide receive only the finest surgical instruments and related services. We never compromise on quality, continually investing in our team, resources, equipment, and processes. Every detail is meticulously examined to ensure we can adapt to changing demands while maintaining the highest standards of quality.

Our Promise

At VOLMED, our commitment to excellence is unwavering. We strive to achieve the highest standards in everything we do, working relentlessly to provide exceptional service to our customers and everyone associated with our company. We view it as our responsibility to contribute to a better future for the entire community, and we are dedicated to making this vision a reality.

Quality

Our commitment to quality is reflected in our CE and UKCA-marked instruments, manufactured in accordance with stringent global quality assurance standards, including ISO 9001:2015, ISO 13485:2016, and the Medical Device Directive 93/42/EEC.

Our Mission

We are committed to manufacturing and supplying products that meet the highest standards of strength, accuracy, and reliability. Recognizing the critical role our equipment plays in saving lives and improving health, we take this responsibility seriously. Our mission is to simplify the procurement process by offering a comprehensive range of high-quality surgical products under one roof.

Products

At VOLMED, surgical instruments are at the core of our offerings. We provide a wide range of high-quality surgical products suitable for use in operating rooms, wards, veterinary practices, dentistry, and chiropody. Our instruments are crafted to strict standards using a blend of modern technology and traditional craftsmanship, in full compliance with the Medical Devices Directive 93/42/EEC. Complete traceability is maintained throughout the manufacturing process.

To ensure exceptional product performance and reliability, all our products undergo rigorous engineering analysis and stringent inspection methods. VOLMED instruments are guaranteed for five years against manufacturing defects and are made from premium surgical-grade stainless steel, in accordance with ISO 7153-1:2016 specifications. Explore our product listings and catalogues to discover our comprehensive range of surgical instruments.



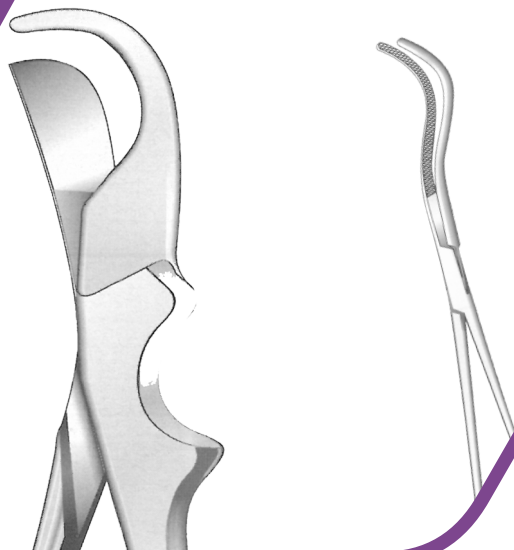
Rib Shears & Cardiovascular Surgery



Serving Healthcare Since 1971

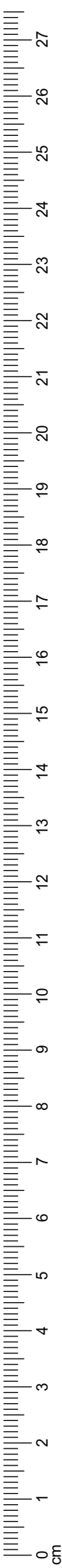
Rib Shears & Cardiovascular Surgery

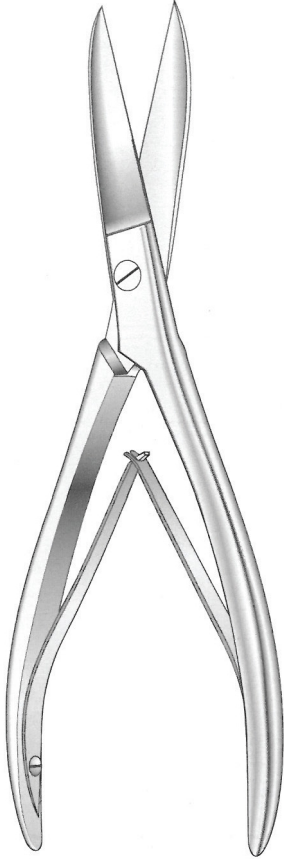
Serving Healthcare Since 1971



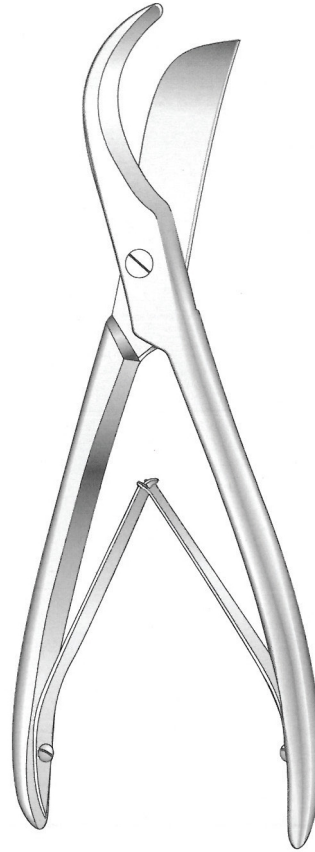
28
27

28,27

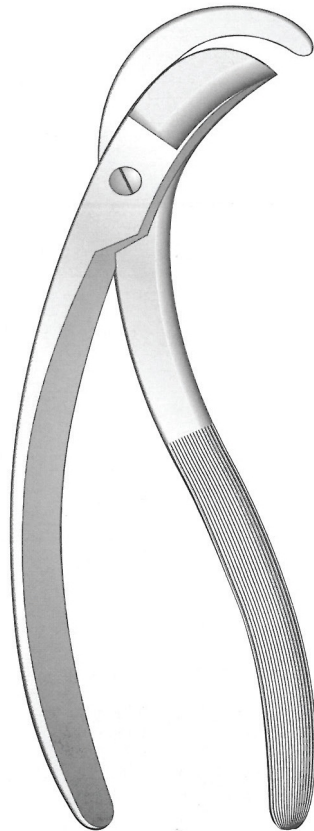




V-028-001 20 cm / 8"
V-028-010 23 cm / 9"



V-028-020
22 cm / 8 3/4"



V-028-030
19 cm / 7 3/4"



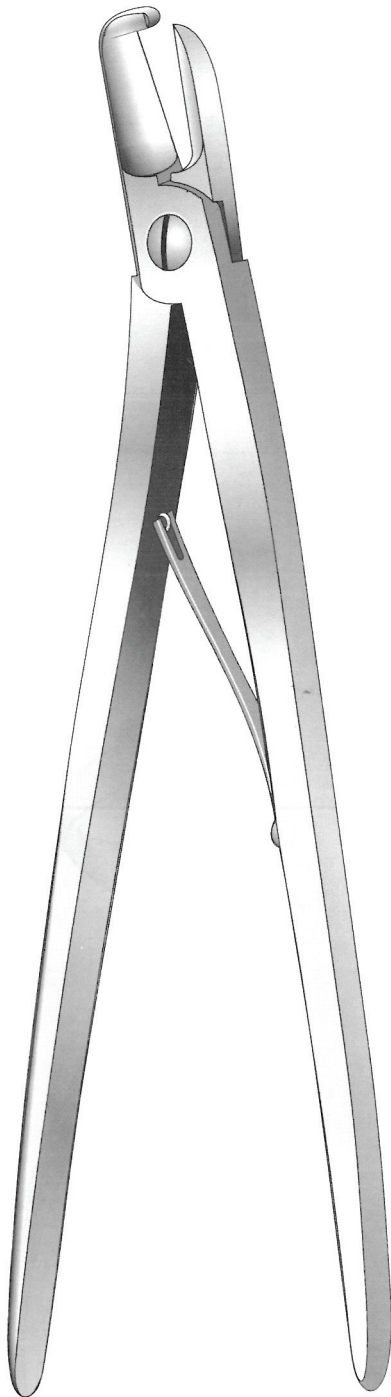
Gluck
V-028-040 19 cm / 7 3/4"
V-028-050 22 cm / 8 3/4"
Drawing cut

Rib Shears

Bone and Rib Shears

Knochen-und rippenscheren

Cizallas para huesos y costillas



Coryllos Bethune (Collin)

V-028-361 24 cm / 9 1/4"

V-028-363

V-028-362 30 cm / 12"

V-028-364

For right hand

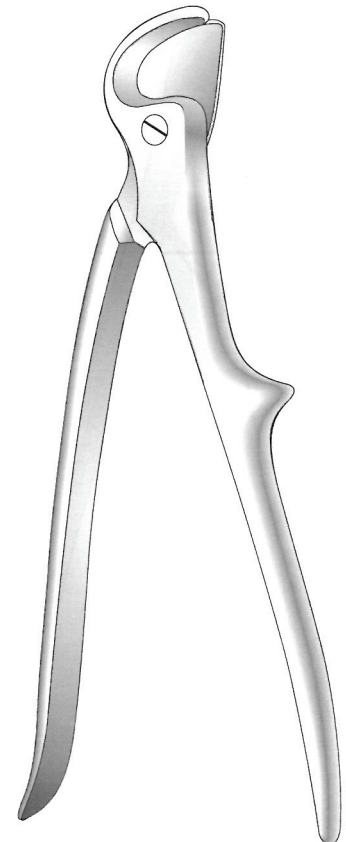
For left hand



Roos

V-028-365

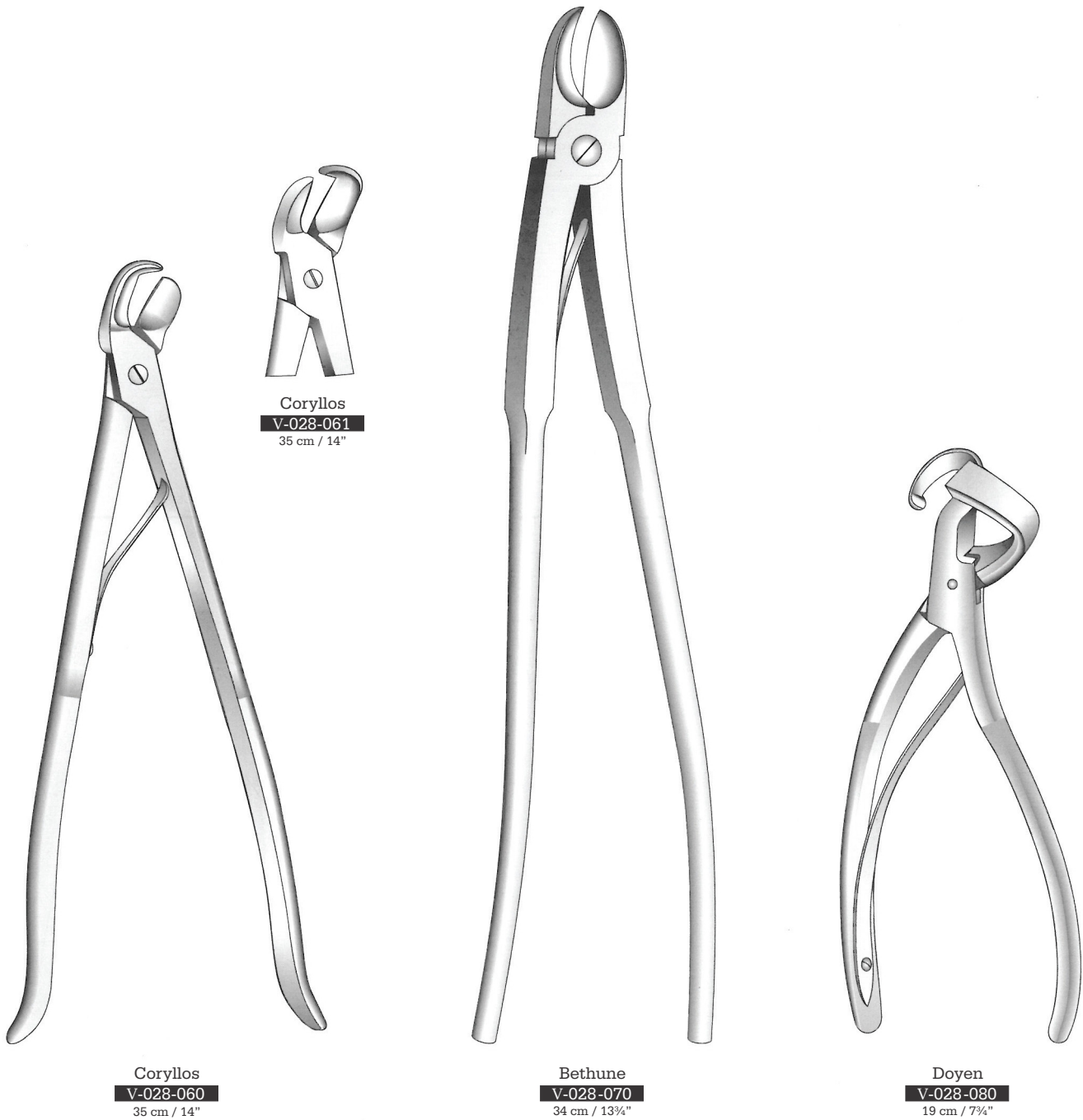
33 cm / 13 1/4"



Stille

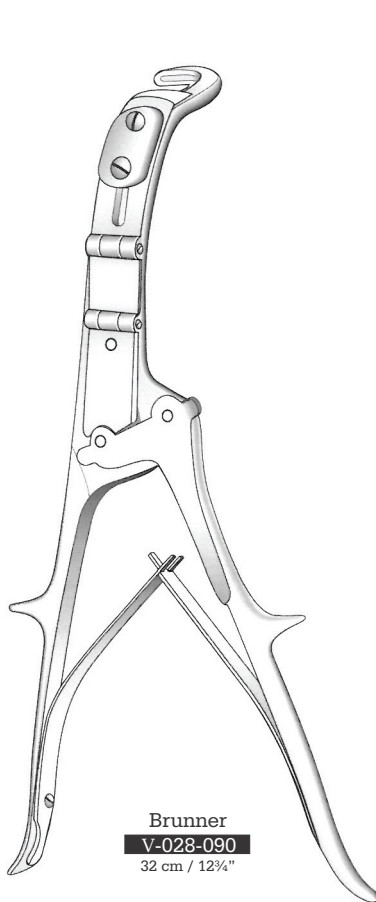
V-028-368

21 cm / 8 1/4"

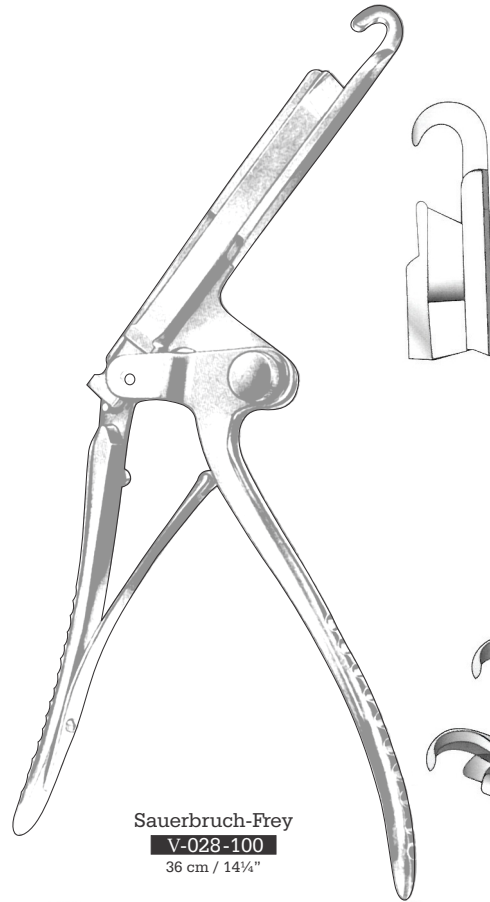


Rib Shears

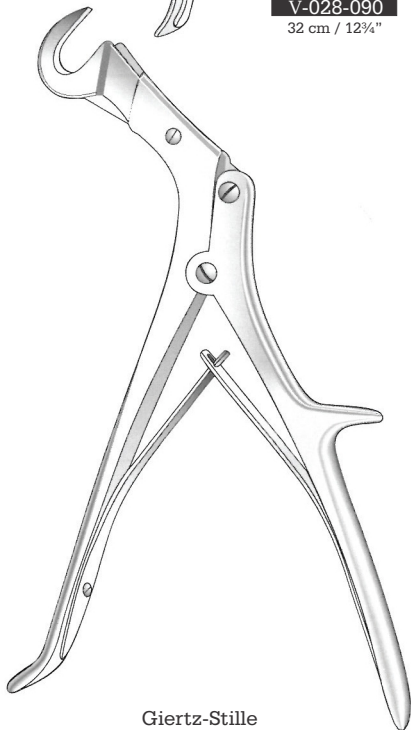
Rib Shears
Rippenscheren
Costotomos



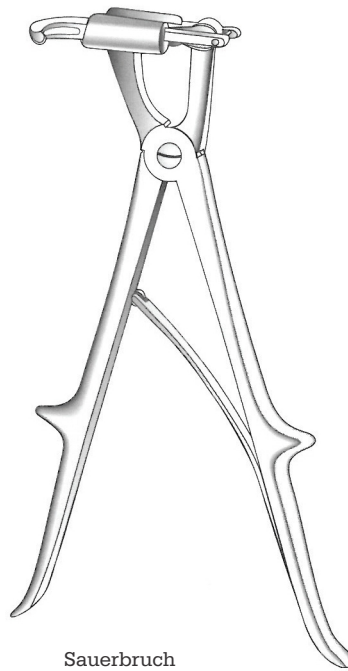
Brunner
V-028-090
32 cm / 12³/₄"



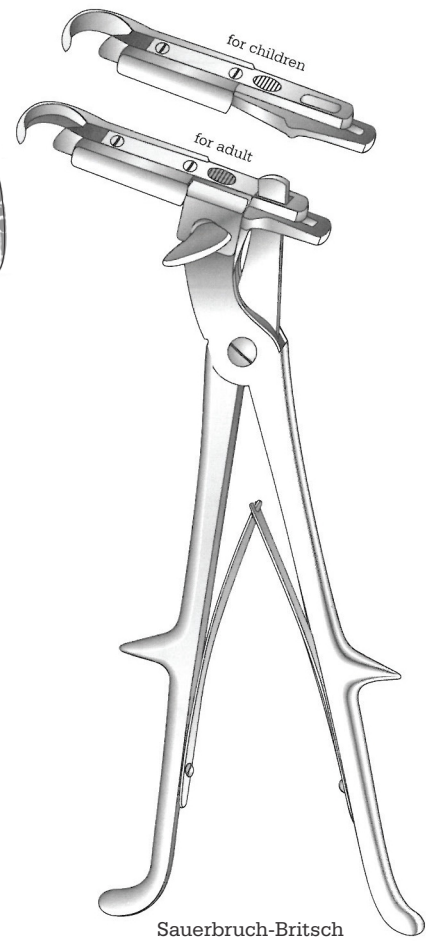
Sauerbruch-Frey
V-028-100
36 cm / 14¹/₄"



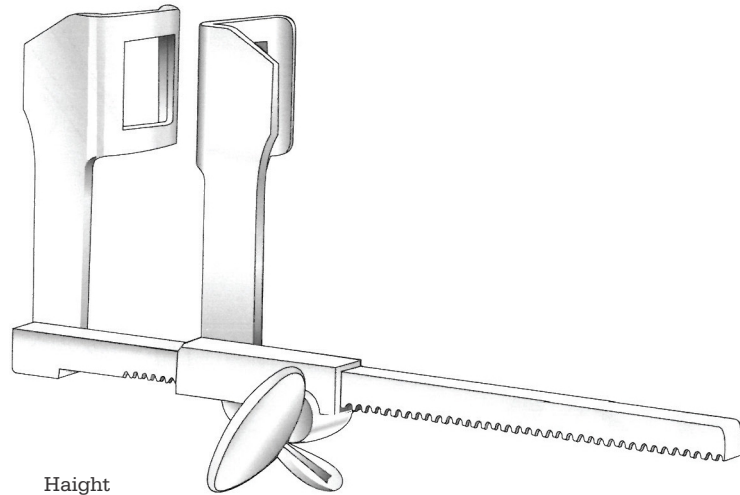
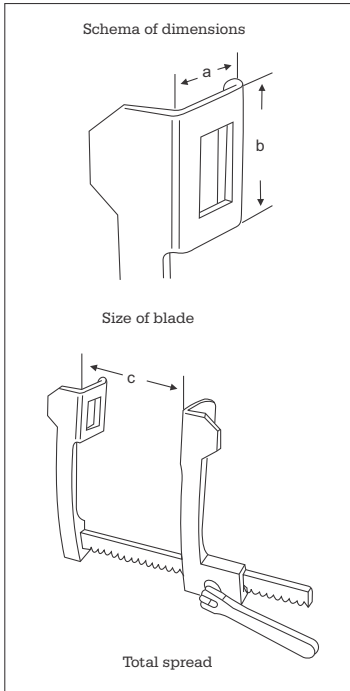
Giertz-Stille
V-028-110
27 cm / 10³/₄"



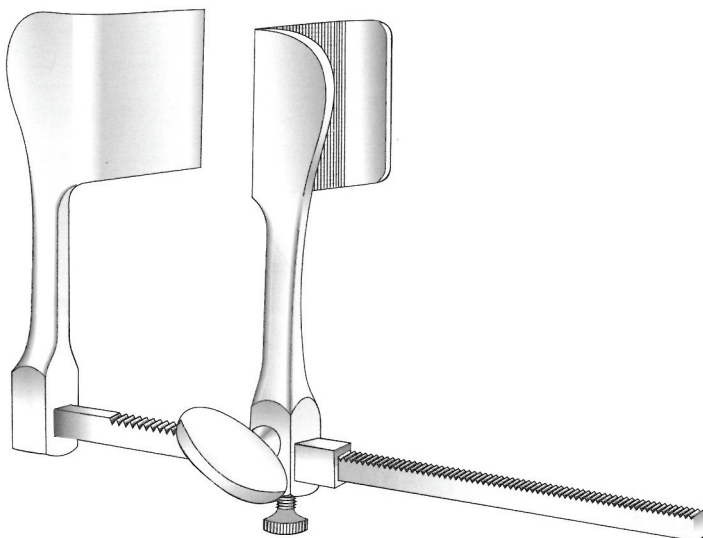
Sauerbruch
V-028-111 24 cm / 9¹/₂"
V-028-112 27 cm / 10³/₄"
For adults



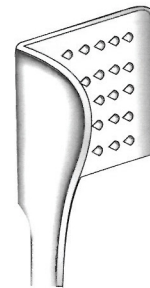
Sauerbruch-Britsch
V-028-113
30 cm / 12"
with 2 exchangeable cutter head



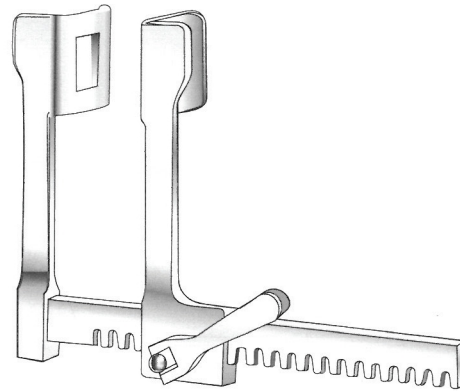
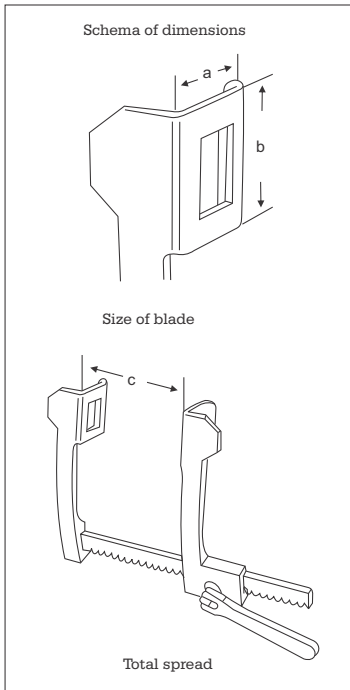
Haight
V-028-150
 a=30; b=30; c=90 mm



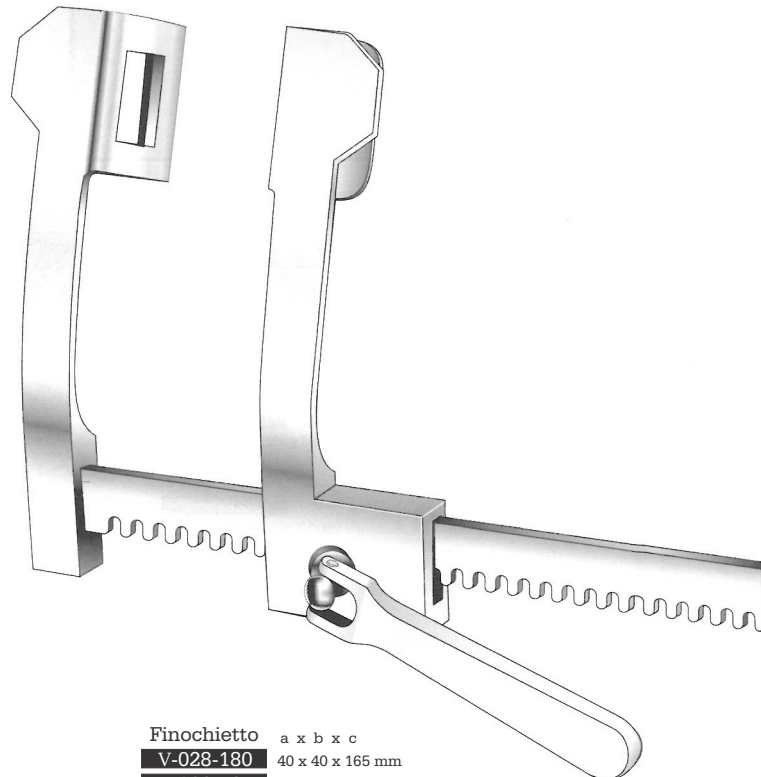
Tuffier
V-028-161
 a=50; b=45; c=165 mm



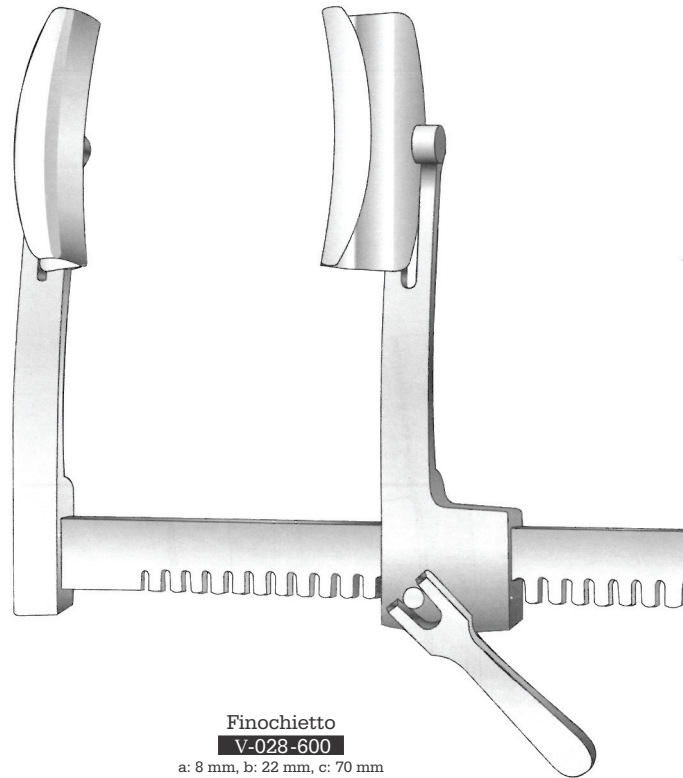
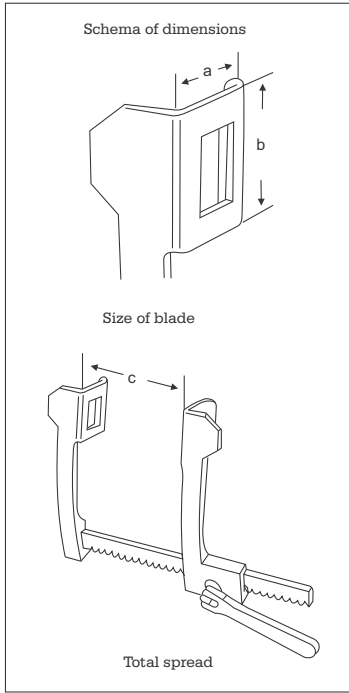
V-028-160



Finochietto-Baby
V-028-170
 a=18; b=20; c=75 mm



Finochietto	a x b x c
V-028-180	40 x 40 x 165 mm
V-028-181	40 x 40 x 180 mm
V-028-190	45 x 45 x 200 mm
V-028-200	70 x 65 x 250 mm



Finochietto

V-028-600

a: 8 mm, b: 22 mm, c: 70 mm

Extra small
 Movable blades

V-028-601

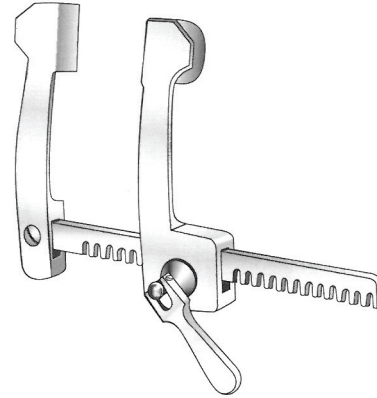
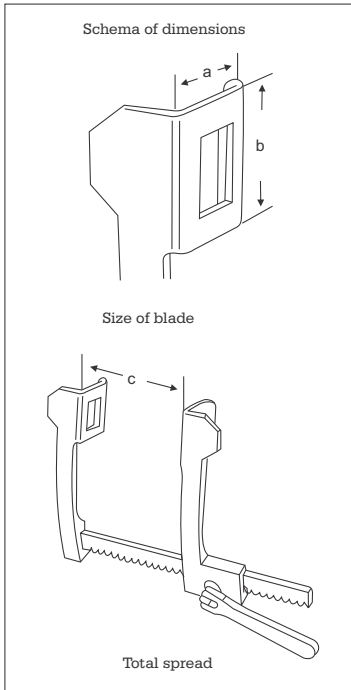
a: 13 mm, b: 33 mm, c: 90 mm

For infants
 Movable blades

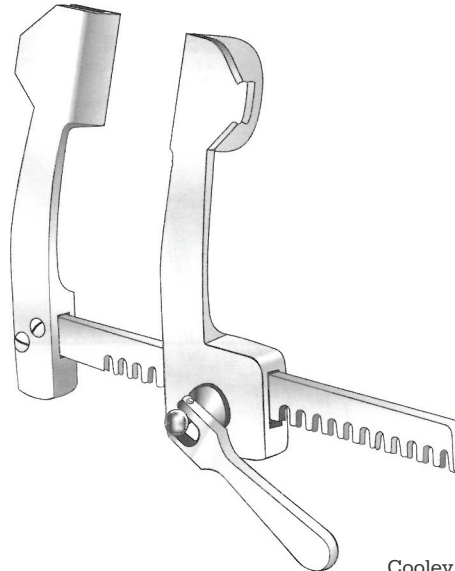
V-028-602

a: 15 mm, b: 50 mm, c: 90 mm

For pediatric
 Movable blades

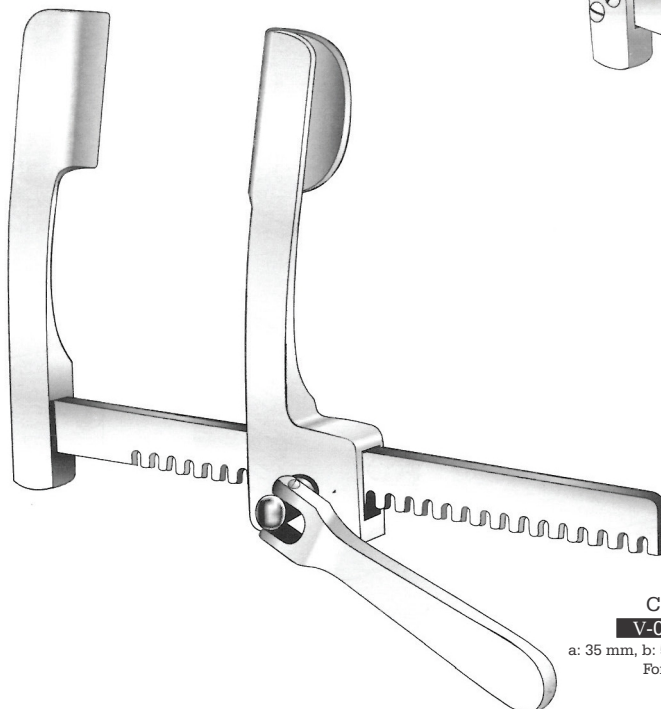


Cooley
V-028-615
 a: 12 mm, b: 16 mm, c: 95 mm
 For new born

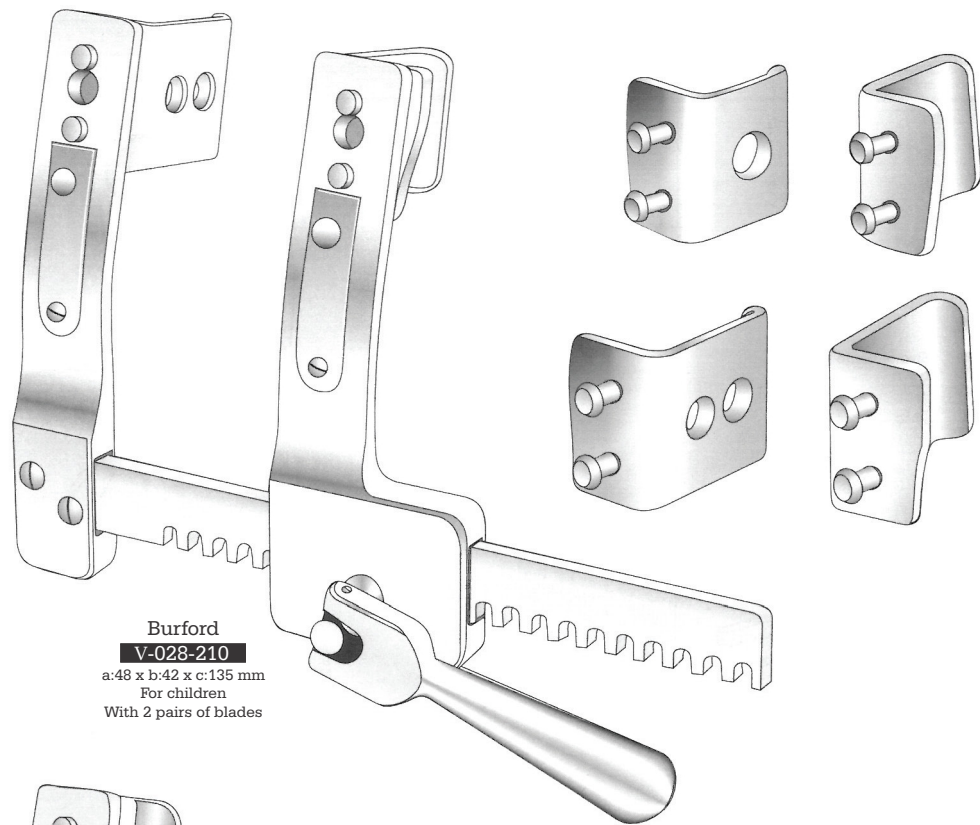
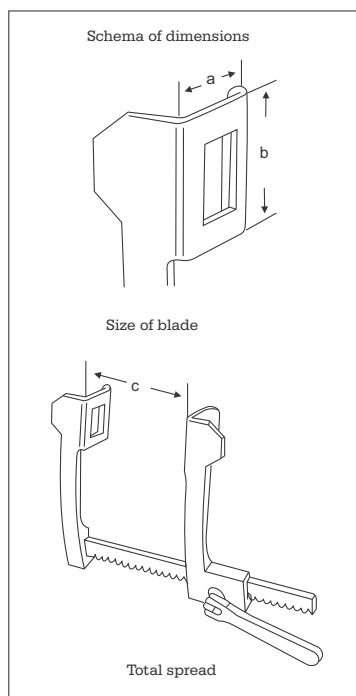


Cooley	a	b	c
V-028-620	15 mm	30 mm	140 mm
V-028-625	21 mm	44 mm	150 mm

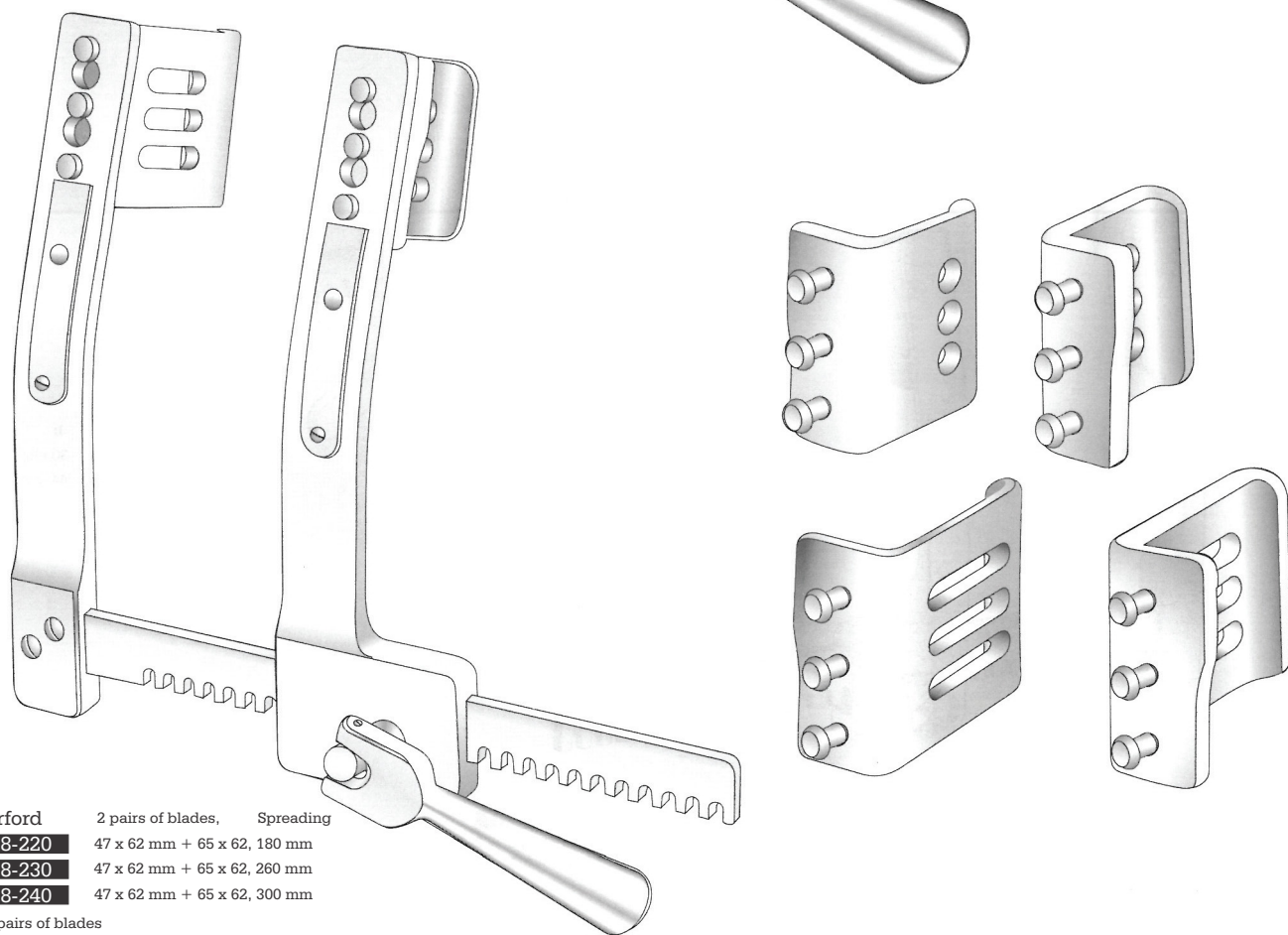
Pediatric size



Cooley
V-028-630
 a: 35 mm, b: 50 mm, c: 200 mm
 For adults

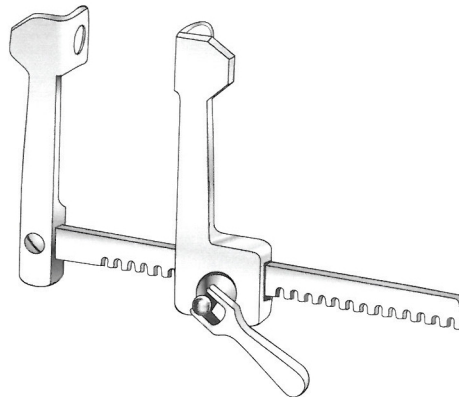
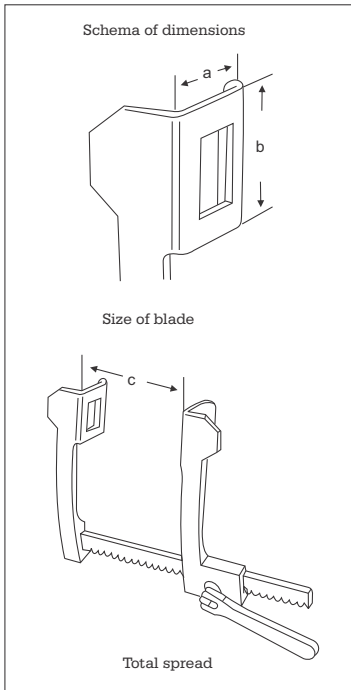


Burford
V-028-210
 a:48 x b:42 x c:135 mm
 For children
 With 2 pairs of blades



Burford	2 pairs of blades,	Spreading
V-028-220	47 x 62 mm + 65 x 62,	180 mm
V-028-230	47 x 62 mm + 65 x 62,	260 mm
V-028-240	47 x 62 mm + 65 x 62,	300 mm

With 2 pairs of blades
 For adults



Tiny Finochietto

V-028-635

a: 20 mm, b: 20 mm, c: 65 mm

Finochietto

V-028-640

a: 15 mm, b: 15 mm, c: 75 mm

For babies, lateral blades, spreading

For infant

V-028-645

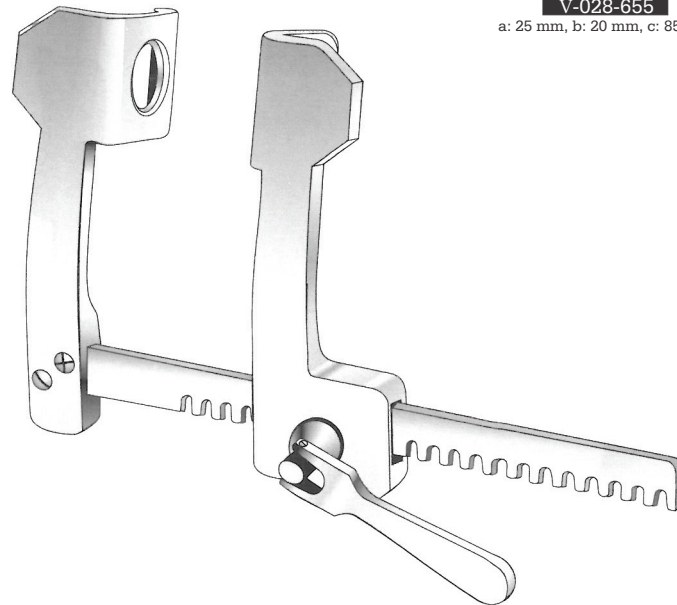
a: 20 mm, b: 15 mm, c: 75 mm

V-028-650

a: 25 mm, b: 20 mm, c: 50 mm

V-028-655

a: 25 mm, b: 20 mm, c: 85 mm



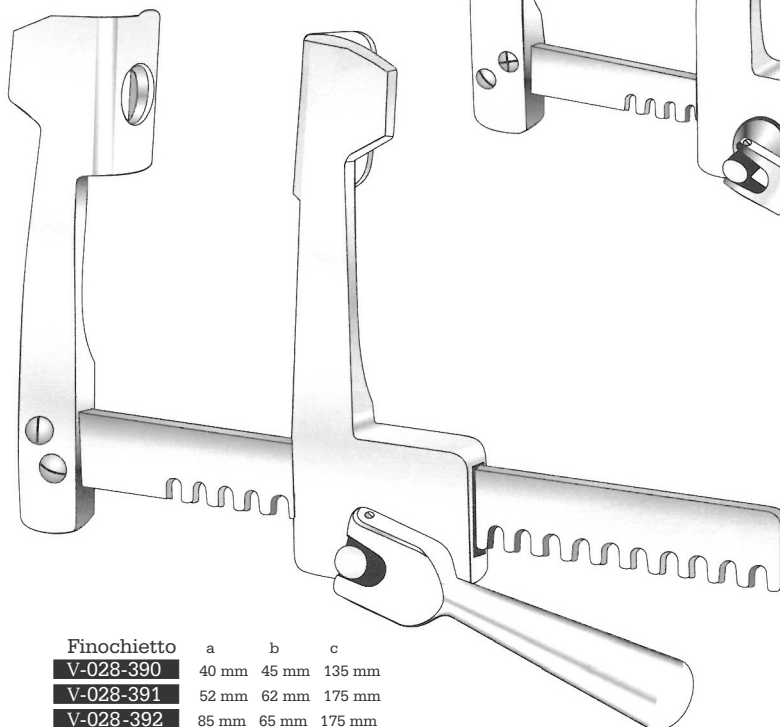
Finochietto

V-028-380

a: 31 mm, b: 31 mm, c: 100 mm

For babies, lateral blades, spreading

For infant



Finochietto

V-028-390

a: 40 mm b: 45 mm c: 135 mm

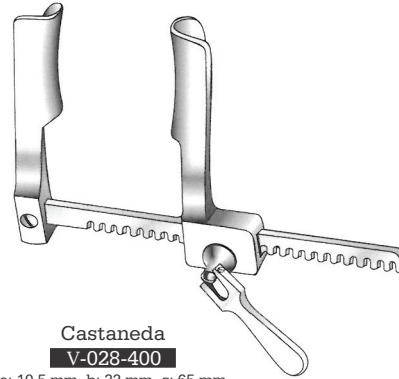
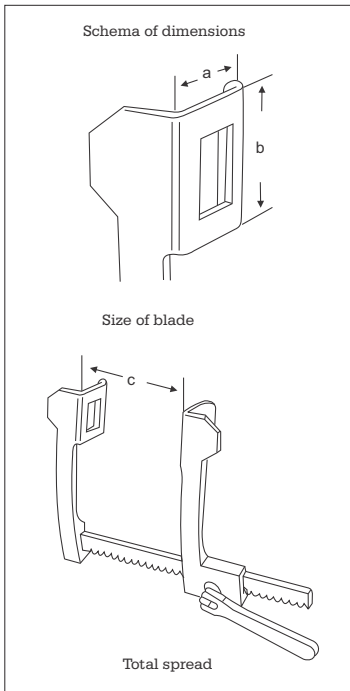
V-028-391

a: 52 mm b: 62 mm c: 175 mm

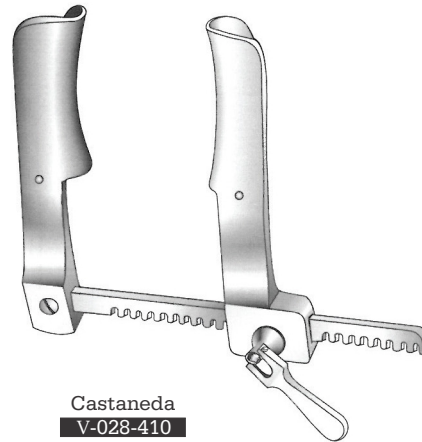
V-028-392

a: 85 mm b: 65 mm c: 175 mm

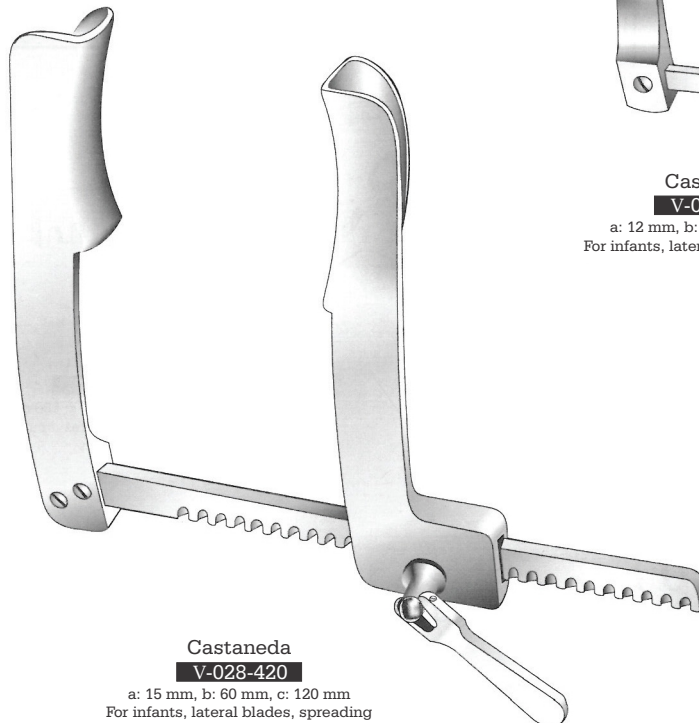
Lateral blades, spreading



Castaneda
V-028-400
 a: 10.5 mm, b: 32 mm, c: 65 mm
 For babies, lateral blades, spreading



Castaneda
V-028-410
 a: 12 mm, b: 45 mm, c: 70 mm
 For infants, lateral blades, spreading



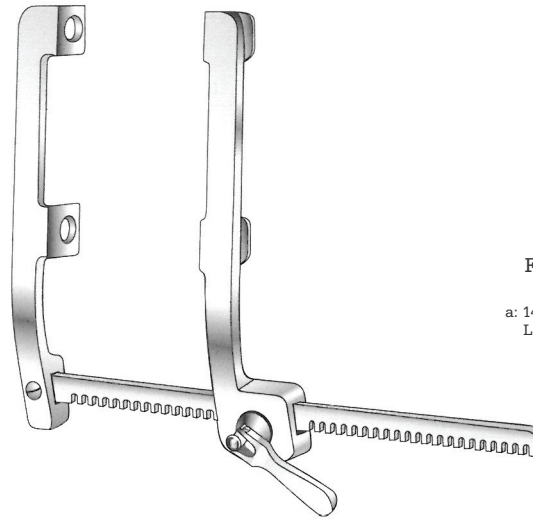
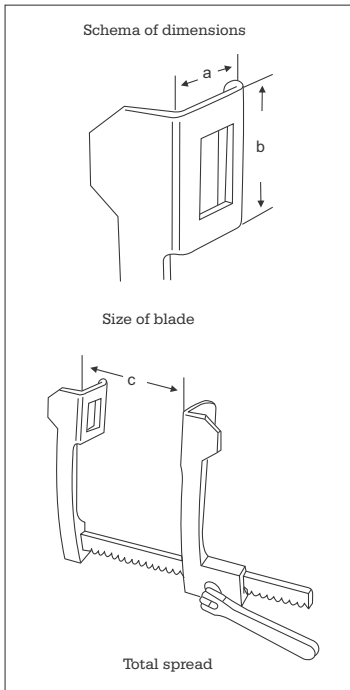
Castaneda
V-028-420
 a: 15 mm, b: 60 mm, c: 120 mm
 For infants, lateral blades, spreading

Rib Spreaders

Rib and Sternal Retractors

Rippensperrer und Sternumspreizer

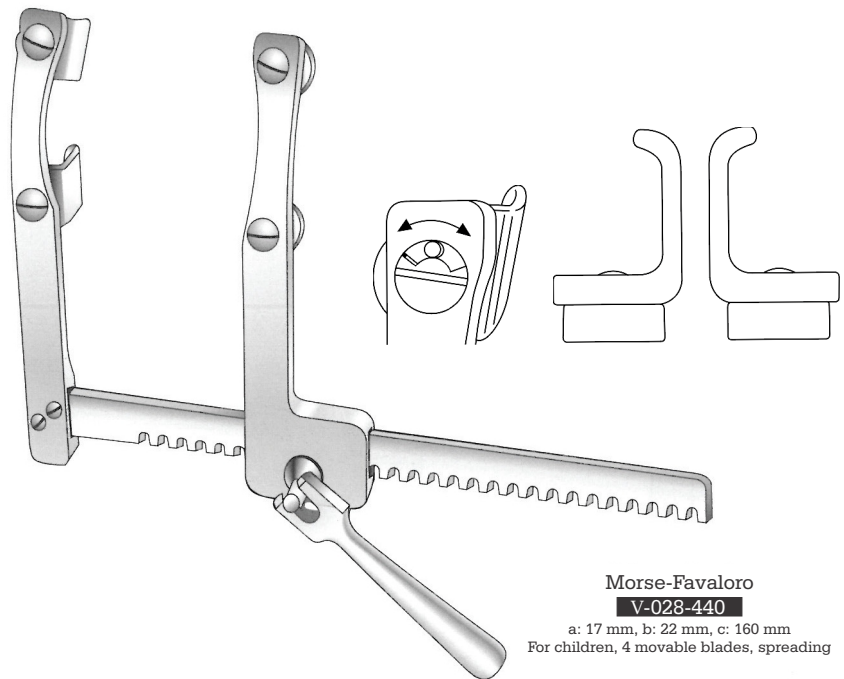
Separadores costales Y esternales



Finochietto (modif)

V-028-430

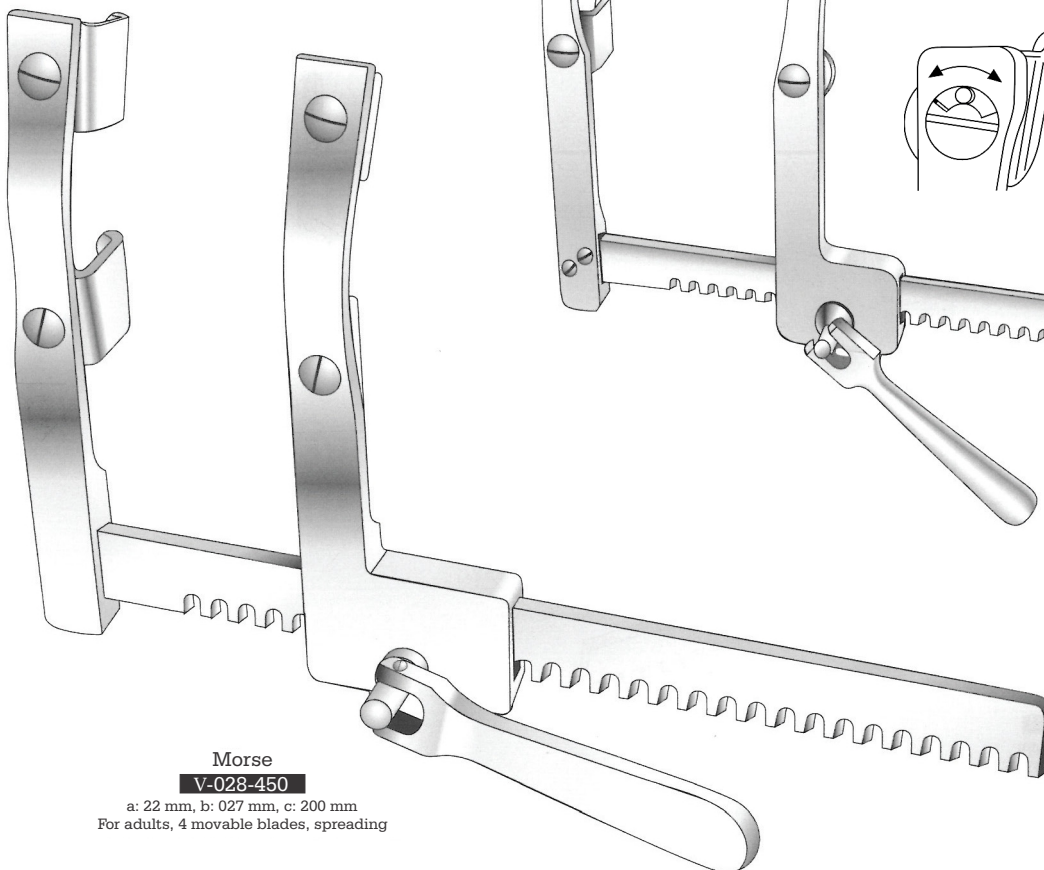
a: 14 mm, b: 15 mm, c: 120 mm
Lateral blades, spreading



Morse-Favaloro

V-028-440

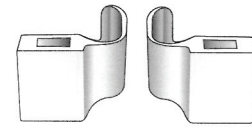
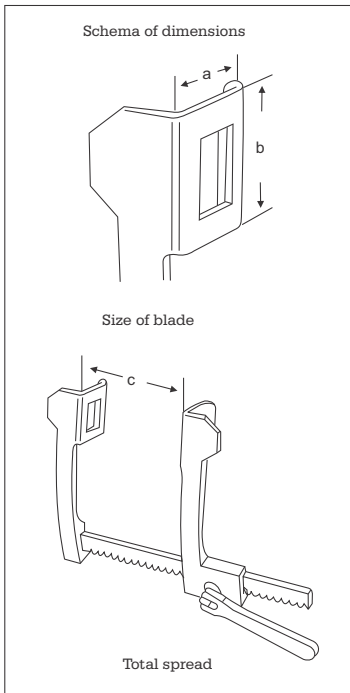
a: 17 mm, b: 22 mm, c: 160 mm
For children, 4 movable blades, spreading



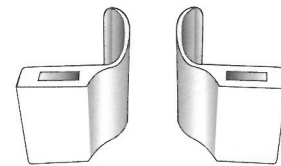
Morse

V-028-450

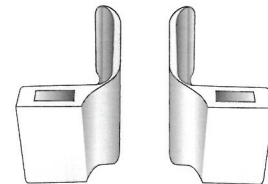
a: 22 mm, b: 027 mm, c: 200 mm
For adults, 4 movable blades, spreading



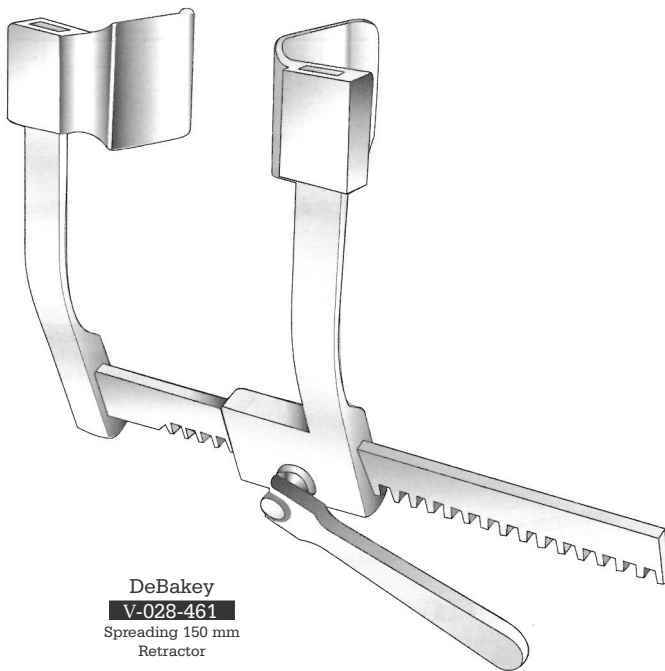
30 x 30 mm
 Lateral blades
 Fig. 1



40 x 40 mm
 Lateral blades
 Fig. 2

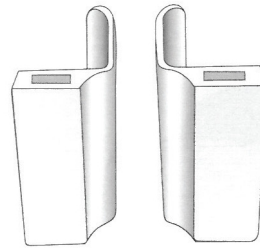
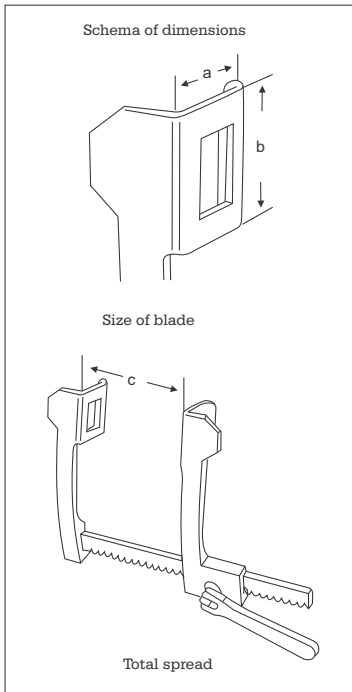


50 x 50 mm
 Lateral blades
 Fig. 3

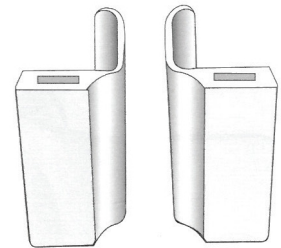


DeBakey
V-028-461
 Spreading 150 mm
 Retractor

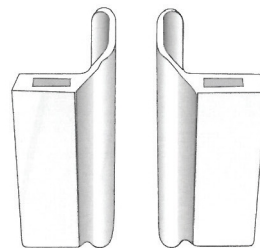
De Bakey
V-028-460
 Set of one retractor &
 three blades Fig. 1 - Fig. 3



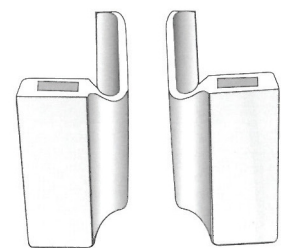
60 x 60 mm
 Lateral blades
 Fig. 1



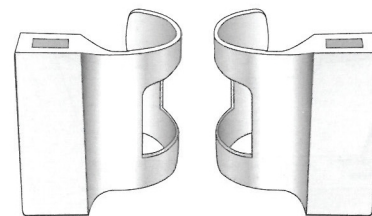
50 x 80 mm
 Lateral blades
 Fig. 2



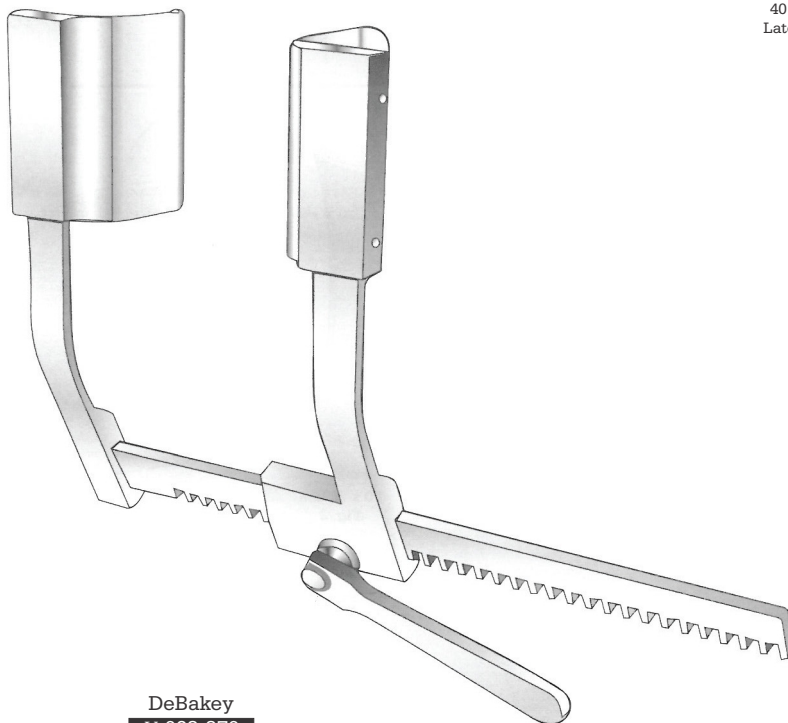
40 x 100 mm
 Lateral blades
 Fig. 3



80 x 60 mm
 Lateral blades
 Fig. 4

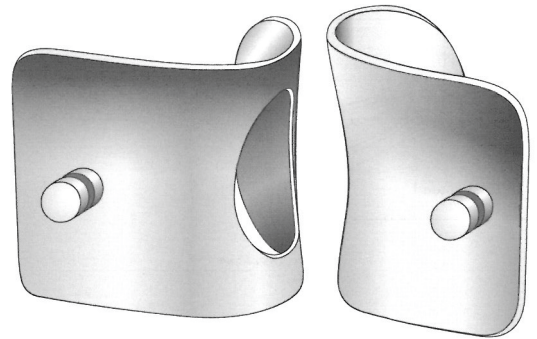
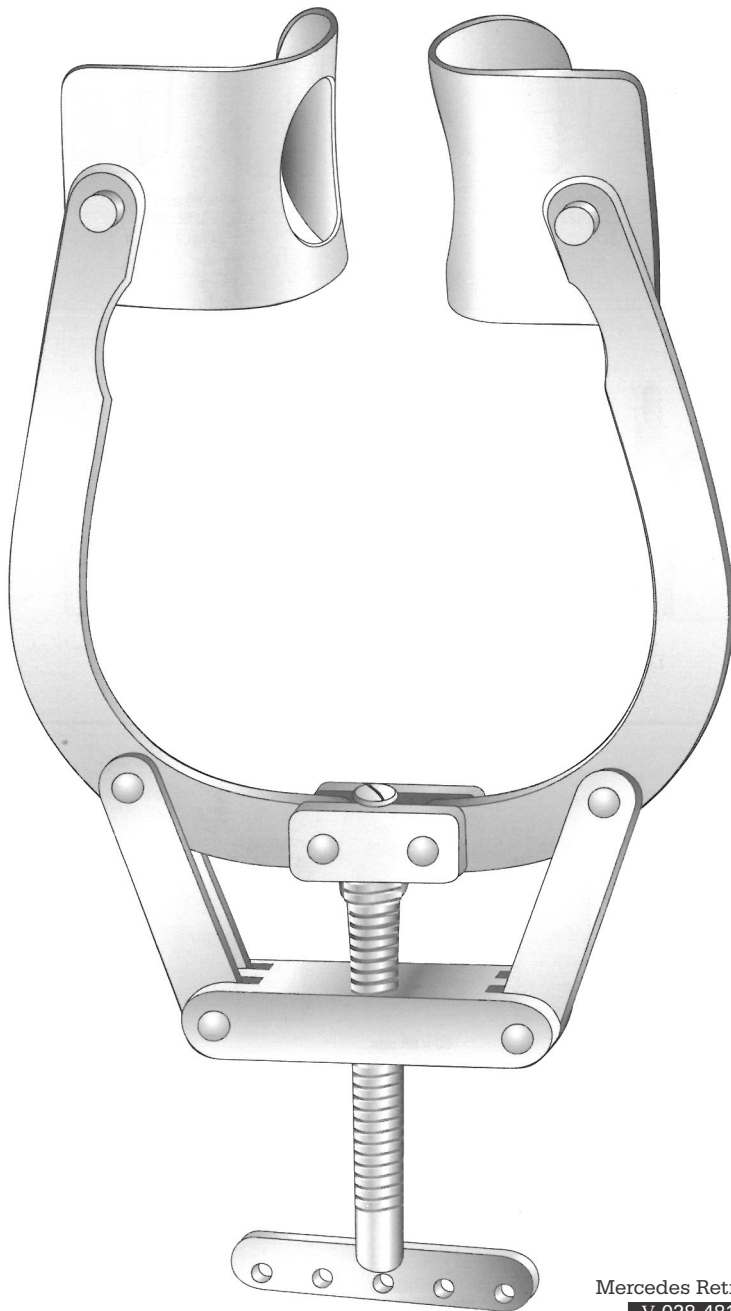


50 x 66 mm
 Lateral blades
 Fig. 5



DeBakey
V-028-370
 Retractor only
 spreading 200 mm

DeBakey
V-028-470
 Set of 1 retractor &
 5 pairs of blades
 Fig.1 - Fig.5



48 x 68 mm
Fig. 1

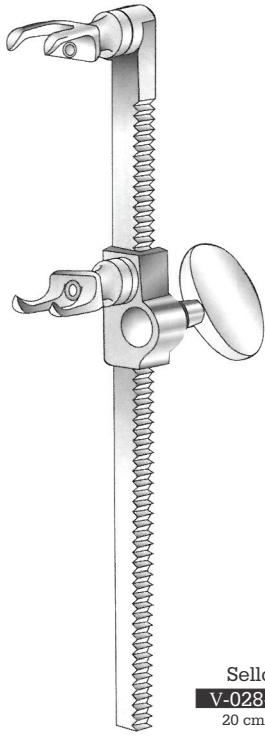


70 x 75 mm
Fig. 2

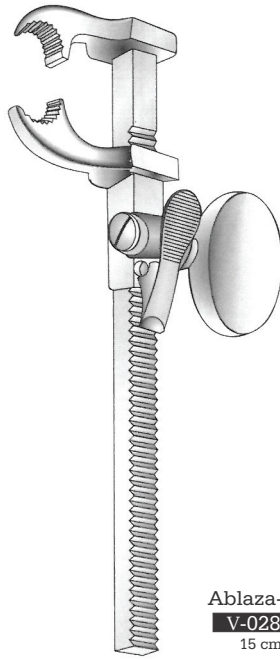
Mercedes Retractor
V-028-481
Complete set
one retractor &
one pair of blades each

Cardiovascular Surgery

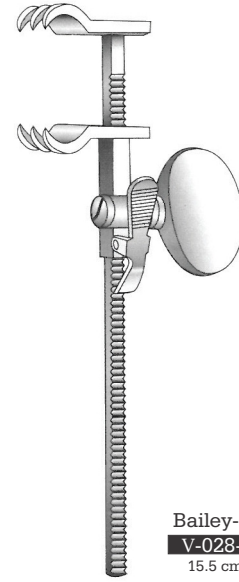
Rib Contractors
Rippenkontraktoren
Aproximadores para costillas



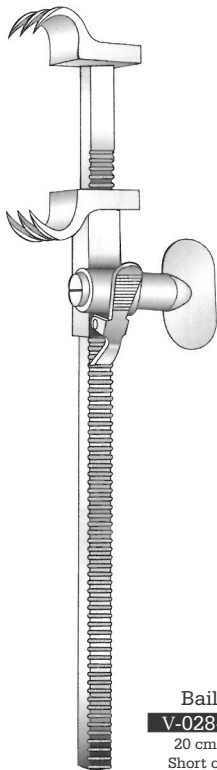
Sellors
V-028-360
20 cm / 8"



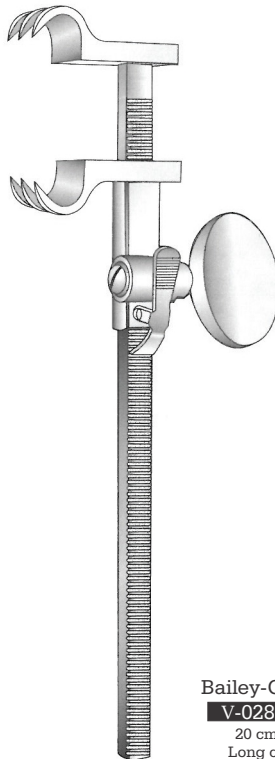
Ablaza-Morse
V-028-660
15 cm / 6"



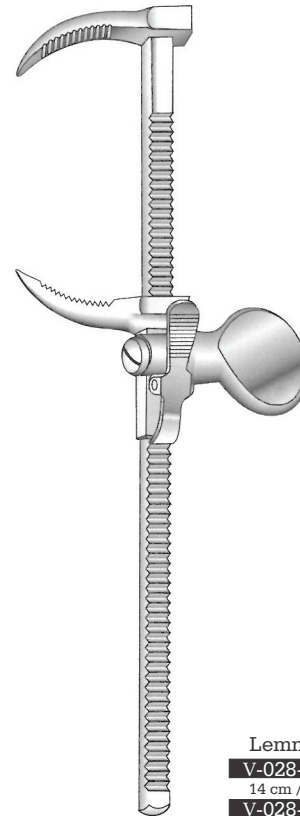
Bailey-Baby
V-028-375
15.5 cm / 6"



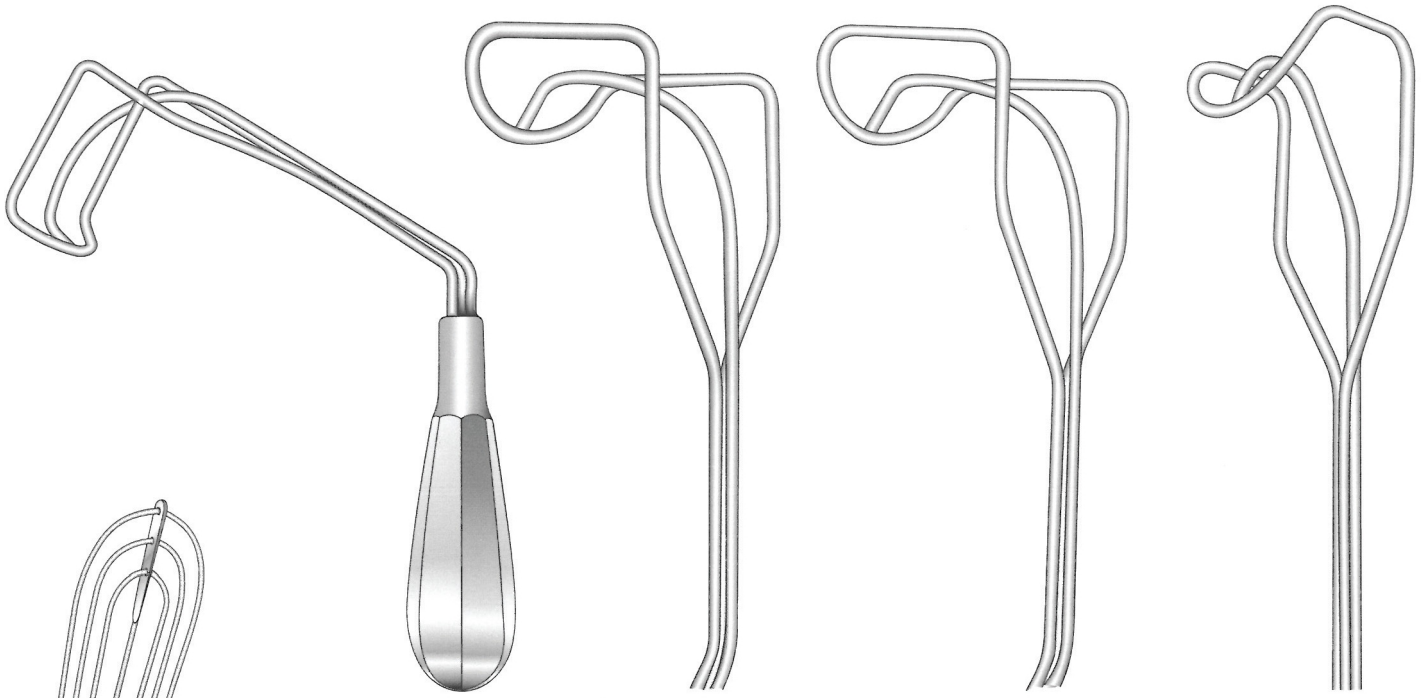
Bailey
V-028-340
20 cm / 8"
Short claws



Bailey-Gibbon
V-028-350
20 cm / 8"
Long claws



Lemmon
V-028-665
14 cm / 5½"
V-028-670
18 cm / 7"
Sternum-approximator
For adults

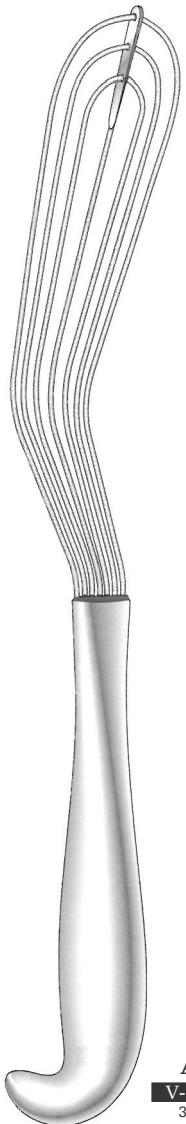


Cooley
V-028-685

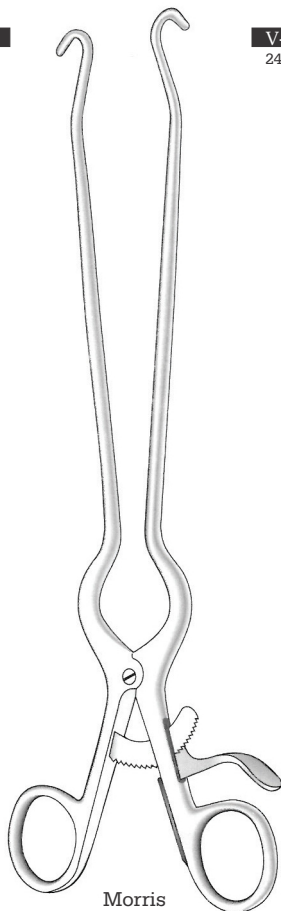
Cooley
V-028-690
24.5 cm / 9 3/4"
Right

Cooley
V-028-695
24.5 cm / 9 3/4"
Right, slightly serrated

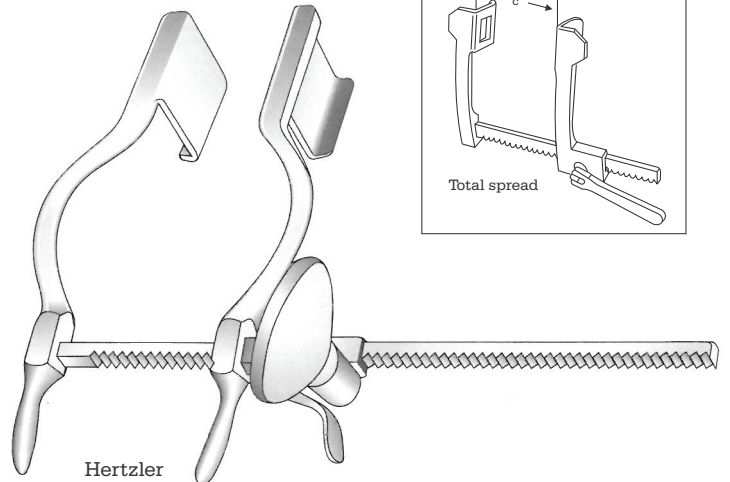
Cooley
V-028-700
25.5 cm / 10"
Left



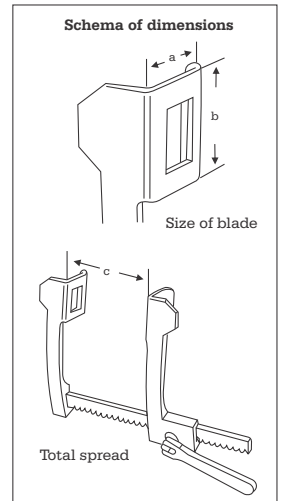
Allison
V-028-130
30 cm / 12"
V-028-140
32 cm / 12 3/4"



Morris
V-028-680
26 cm / 10 1/4"



Hertzler
V-028-675
a: 25 mm, b: 25 mm, c: 150 mm

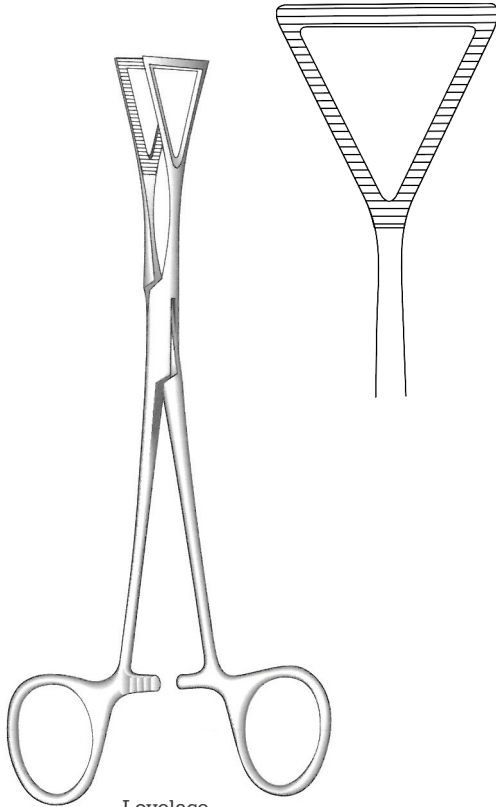


Cardiovascular Forceps

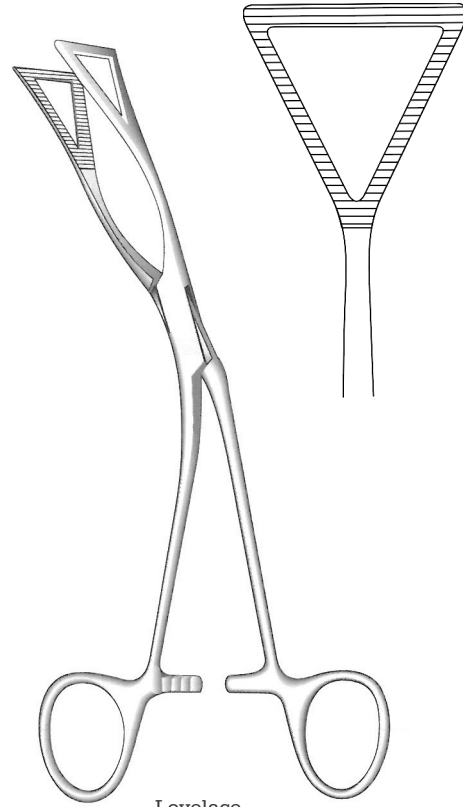
Lung Grasping Forceps, Blood Vessel Clamps

Lungenfasszangen, Gefassklemmen

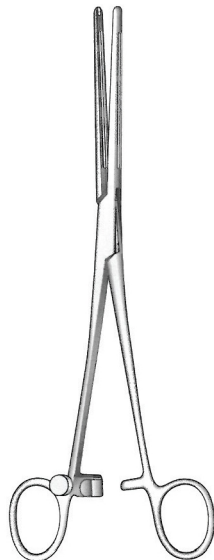
Pinzas-Clamps p/pulmon, Clamps p/vasos



Lovelace
V-027-001
20 cm / 8"



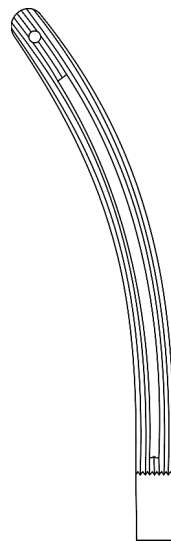
Lovelace
V-027-010
20 cm / 8"
Laterally Curved



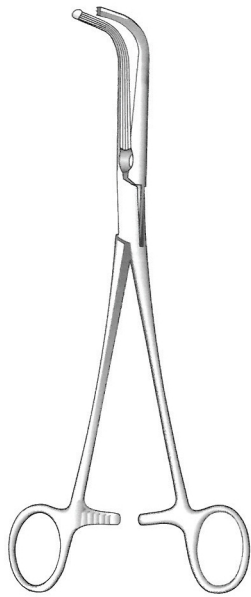
Johns Hopkins
22 cm / 8 3/4"



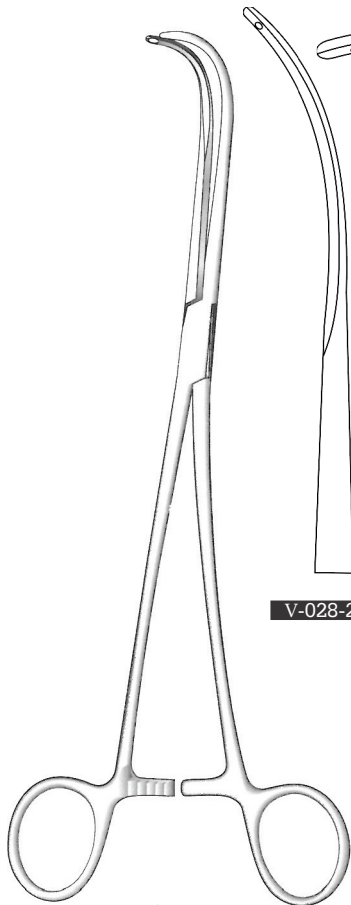
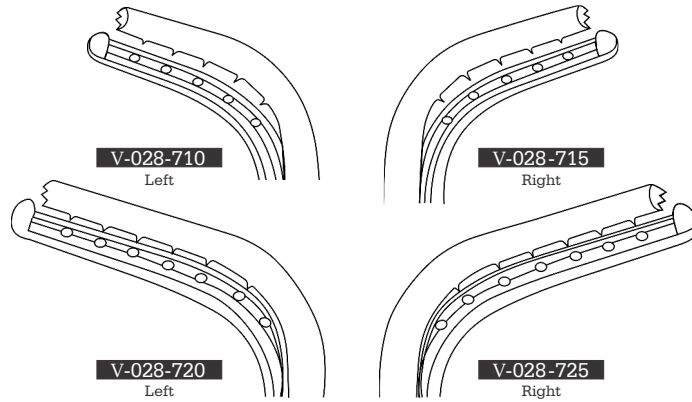
V-027-020



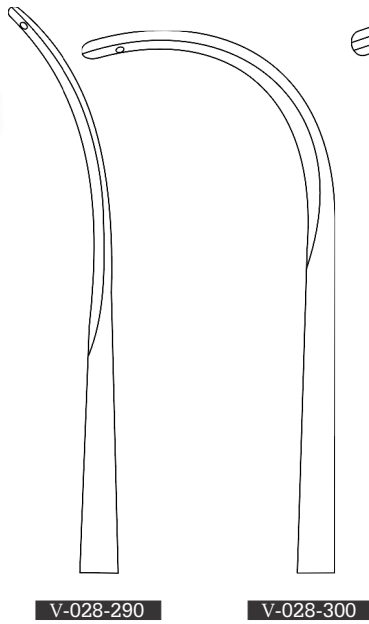
V-027-030



Sarot
23 cm / 9"

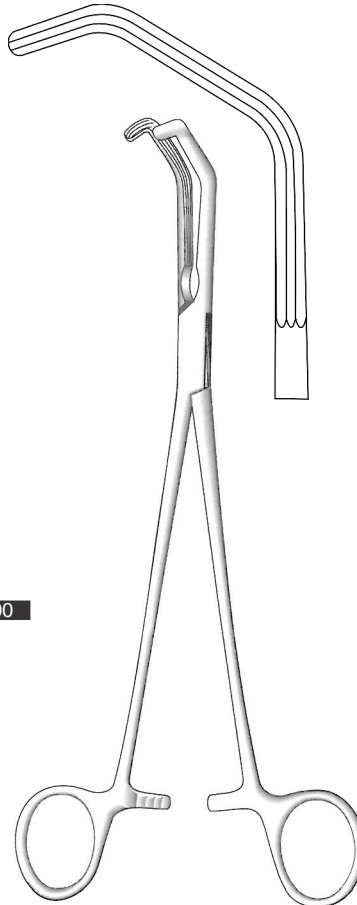


Semb
24 cm / 9½"

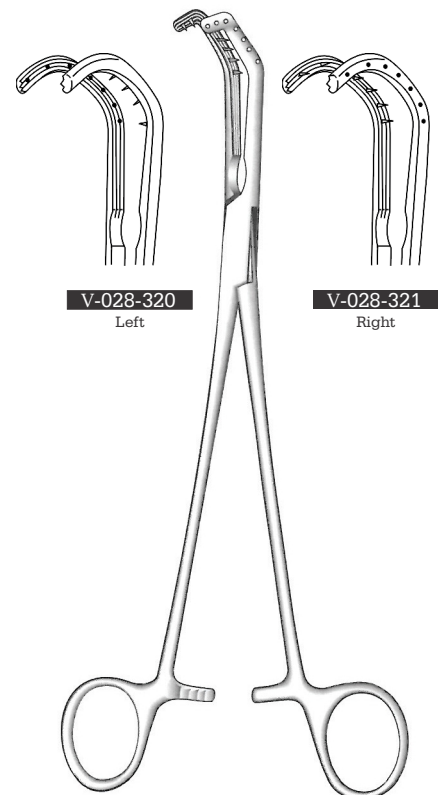


V-028-290

V-028-300



Price-Thomas
V-028-310
22 cm / 8¾"



Price-Thomas
22 cm / 8¾"

V-028-320
Left

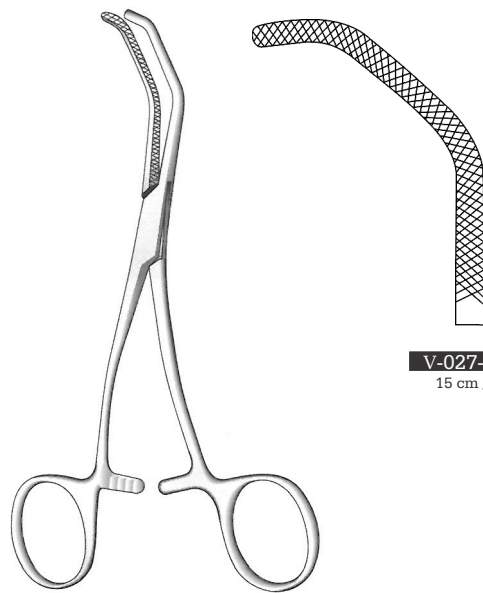
V-028-321
Right

Cardiovascular Forceps

Blood Vessel Clamps

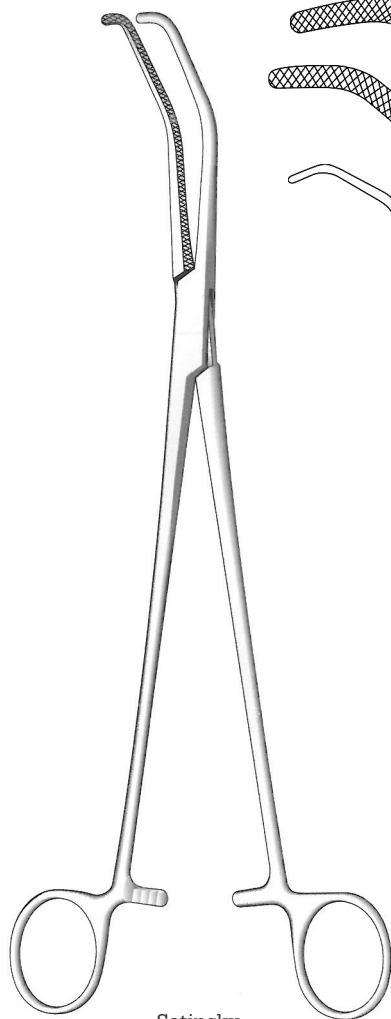
Gefassklemmen

Clamps p/vasos

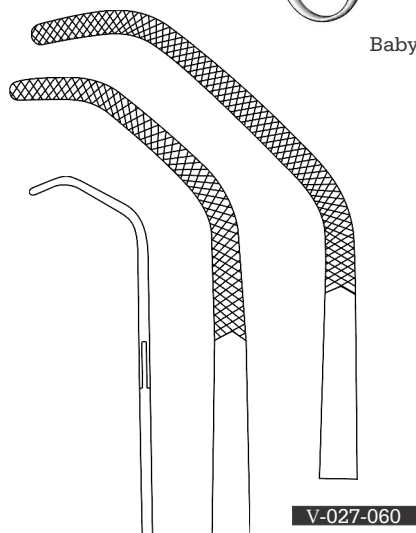


V-027-040
15 cm / 6"

Baby-Satinsky

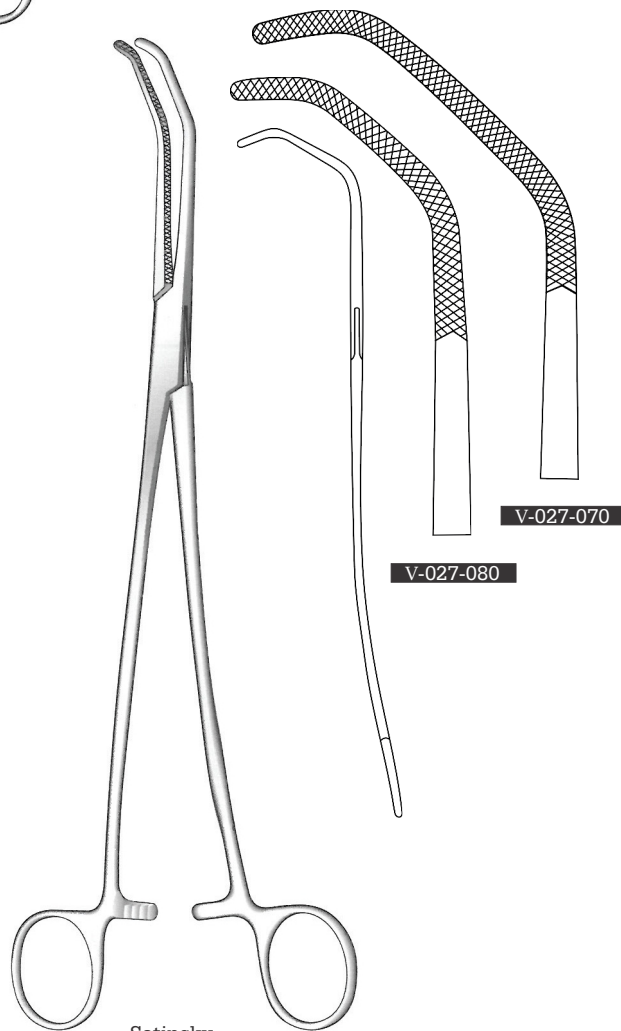


Satinsky
26.5 cm / 10½"



V-027-050

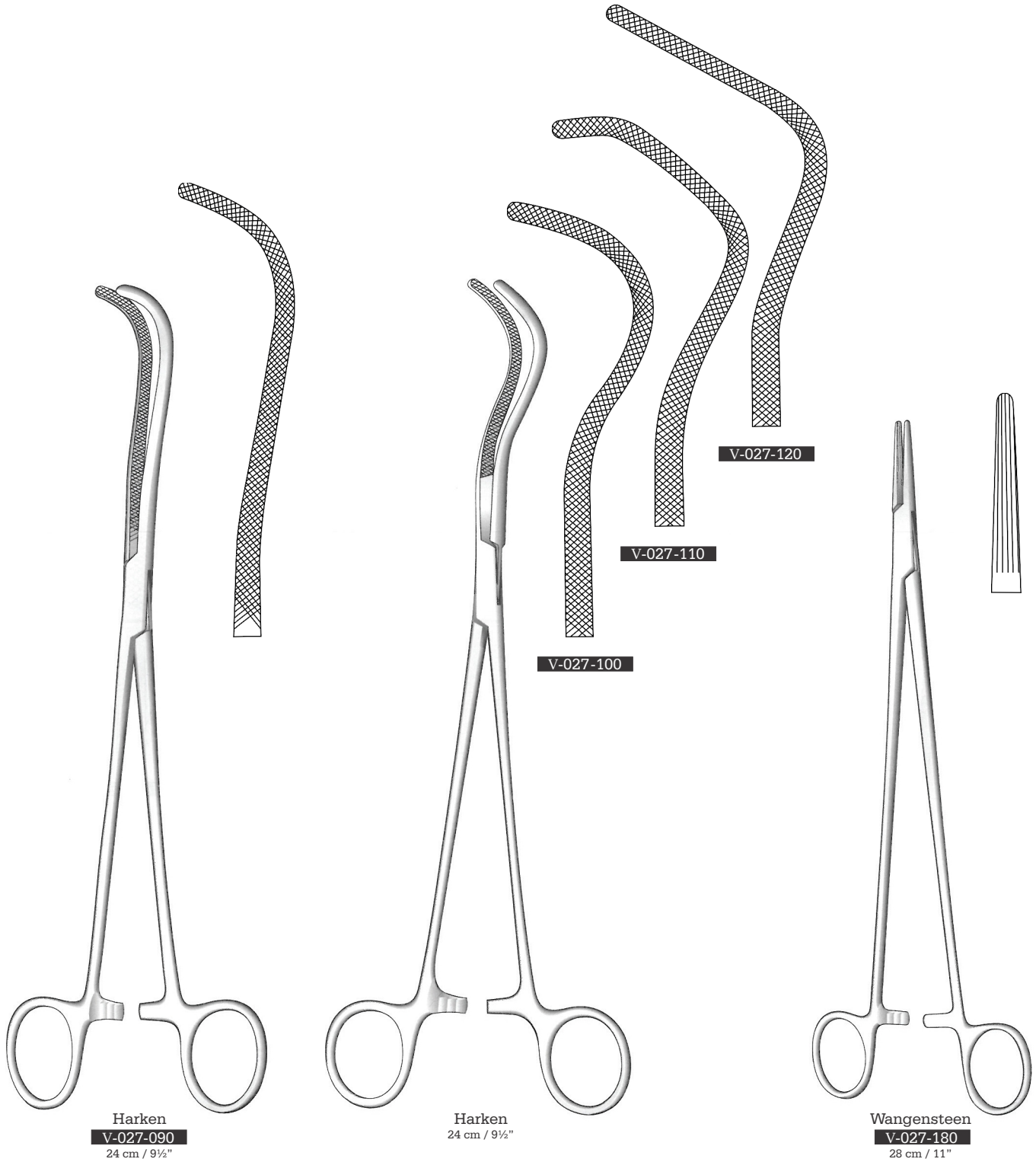
V-027-060



Satinsky
26.5 cm / 10½"

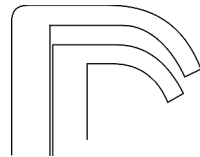
V-027-080

V-027-070

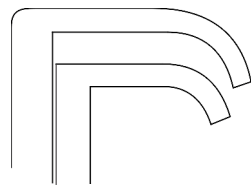


Lung Surgery

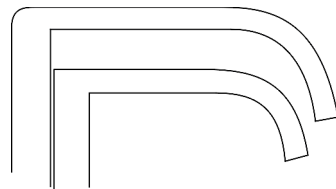
Aorta Clamps
Aortaklemmen
Clamps aorta



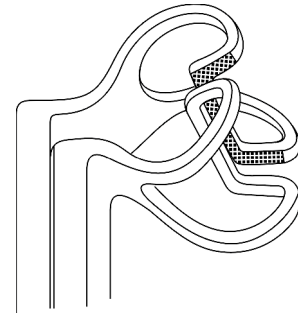
V-027-190
15 cm / 6"
14 mm



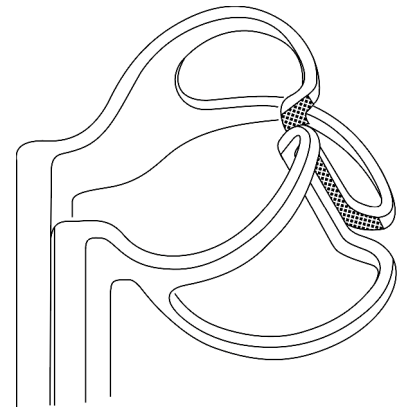
V-027-200
20 cm / 8"
18 mm



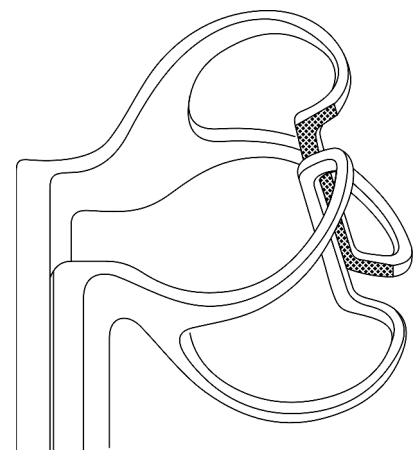
V-027-210
25 cm / 10"
23 mm



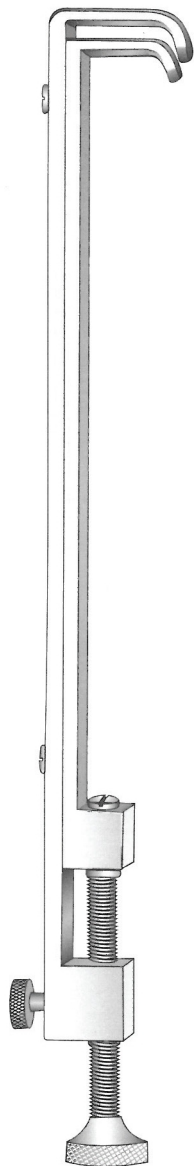
V-027-220
19 \varnothing x 19 mm



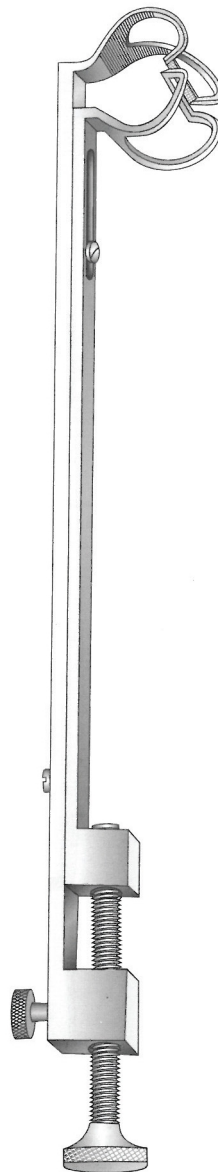
V-027-230
25 \varnothing x 25 mm



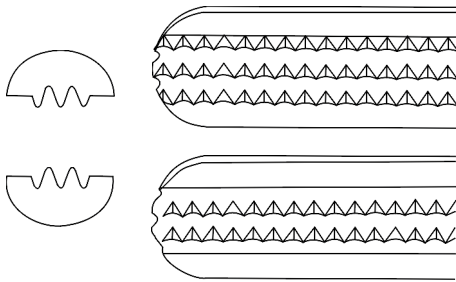
V-027-240
32 \varnothing x 32 mm



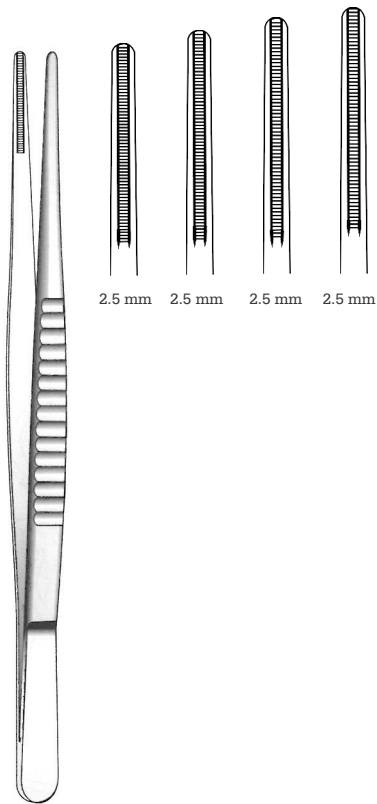
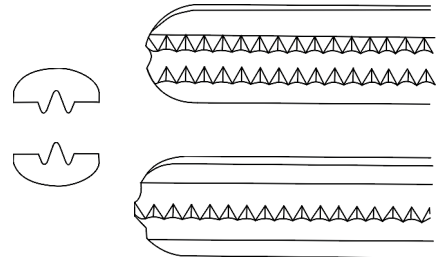
Blalock



Johns Hopkins
20 cm / 8"



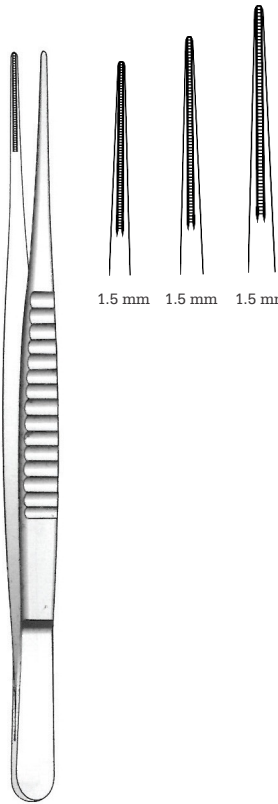
Toothing according to De Baakey:
The traditional ATRAUMA clamps. Apart from Cardio-Vascular Surgery, These are also approved for other atraumatic applications and surgery techniques. Firm and precise seizing of tissues, Safe and delicately controlled clamping effect.



2.5 mm 2.5 mm 2.5 mm 2.5 mm

De Baakey

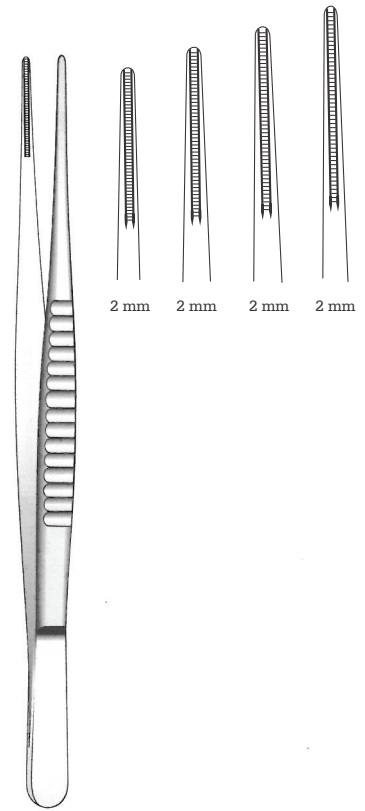
- V-027-250** 16 cm / 6¼"
- V-027-251** 20 cm / 8"
- V-027-252** 24 cm / 9½"
- V-027-253** 30 cm / 12"



1.5 mm 1.5 mm 1.5 mm

De Baakey

- V-027-600** 16 cm / 6¼"
- V-027-605** 20 cm / 8"
- V-027-610** 24 cm / 9½"



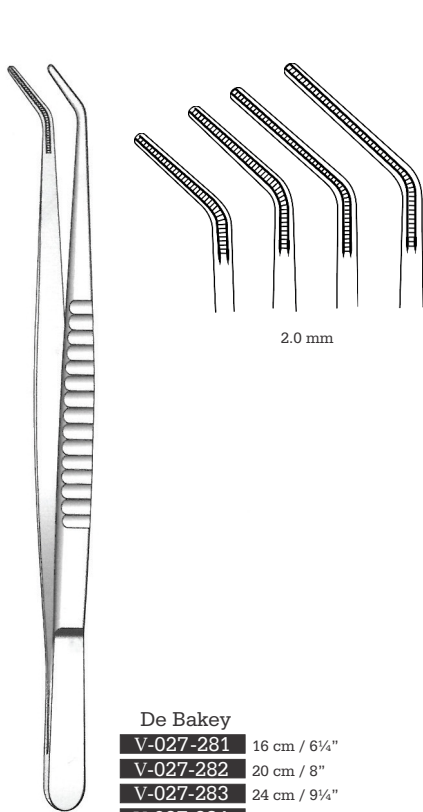
2 mm 2 mm 2 mm 2 mm

De Baakey

- V-027-620** 16 cm / 6¼"
- V-027-625** 20 cm / 8"
- V-027-630** 24 cm / 9½"
- V-027-635** 30 cm / 12"

Tissue Forceps

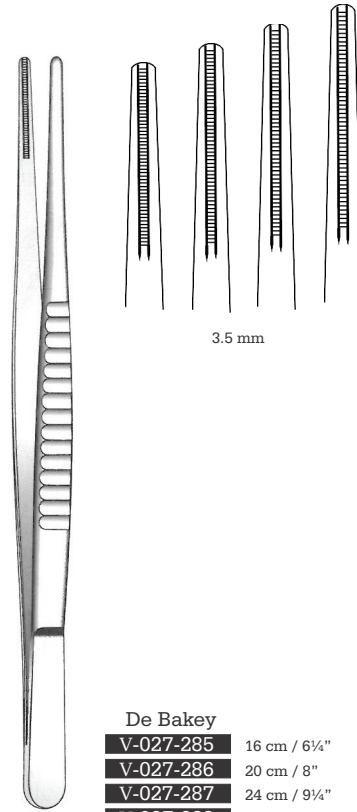
Vascular Forceps, Bulldog Clamps
 Gefäßpinzetten, Bulldogklemmen
 Pinzas de disección Vascular, Clamps Bulldog



2.0 mm

De Bakey

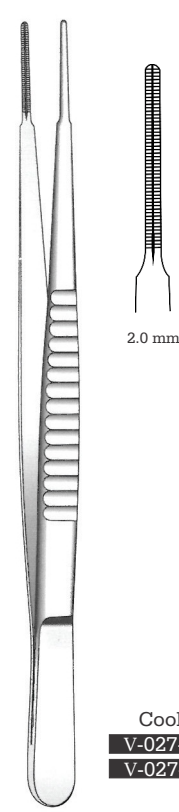
- V-027-281** 16 cm / 6¼"
- V-027-282** 20 cm / 8"
- V-027-283** 24 cm / 9¼"
- V-027-284** 30 cm / 12"



3.5 mm

De Bakey

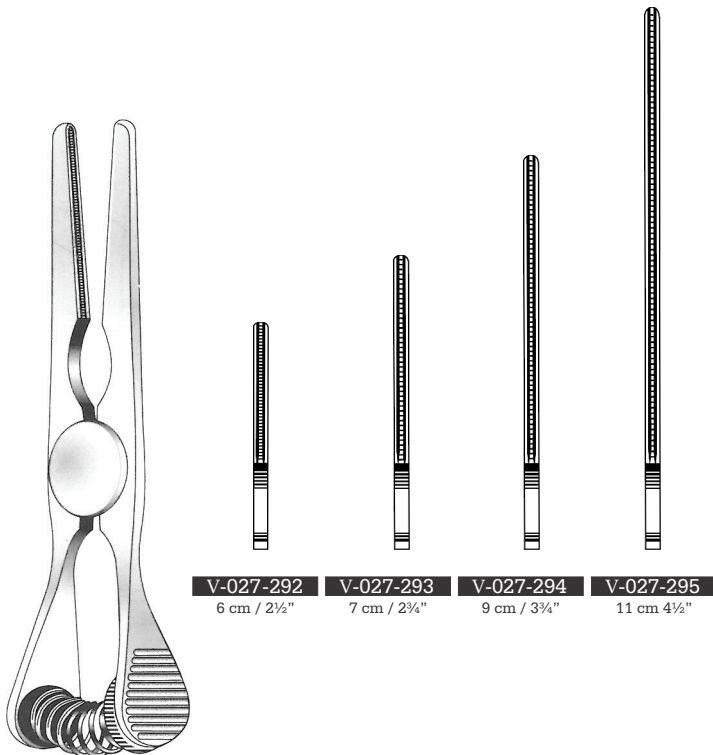
- V-027-285** 16 cm / 6¼"
- V-027-286** 20 cm / 8"
- V-027-287** 24 cm / 9¼"
- V-027-288** 30 cm / 12"



2.0 mm

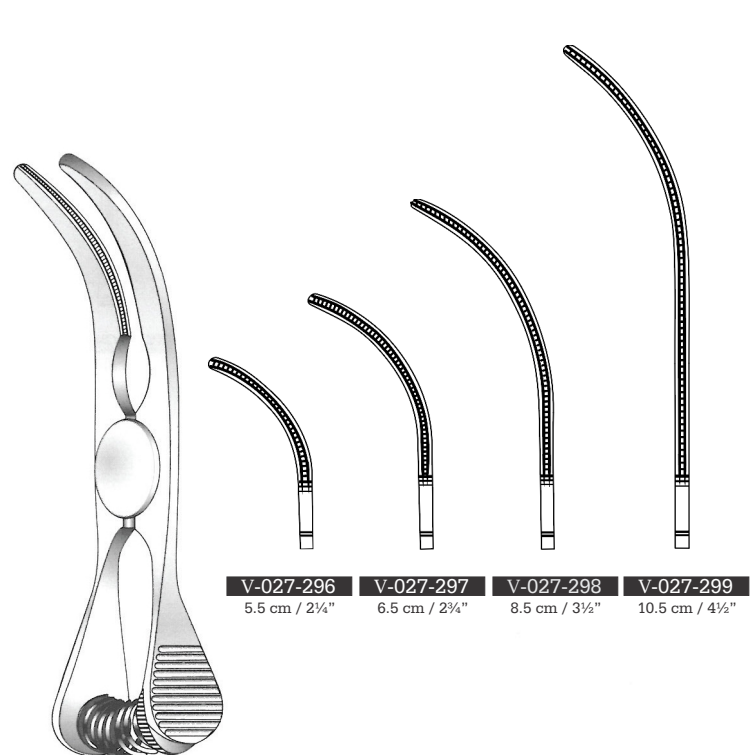
Cooley

- V-027-289** 16 cm / 6¼"
- V-027-291** 20 cm / 8"



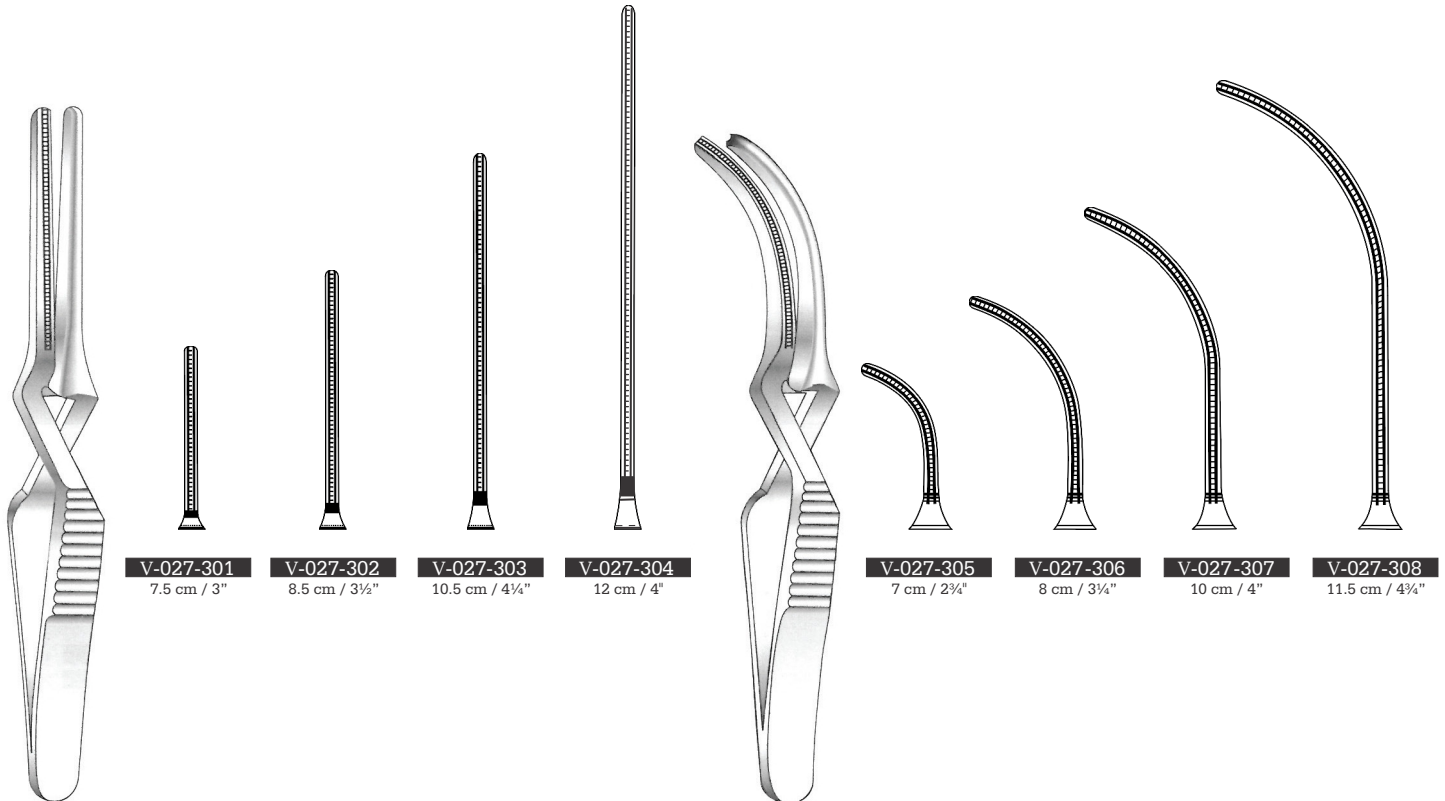
- V-027-292** 6 cm / 2½"
- V-027-293** 7 cm / 2¾"
- V-027-294** 9 cm / 3¼"
- V-027-295** 11 cm / 4½"

Glover



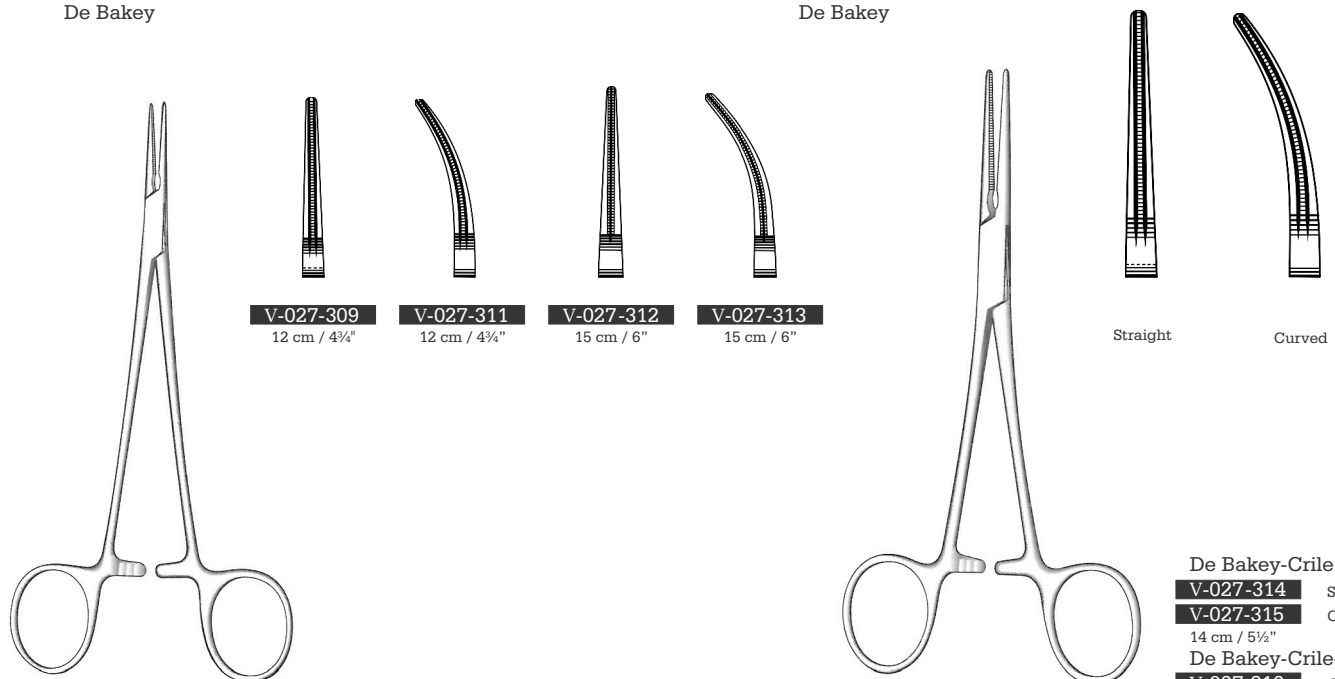
- V-027-296** 5.5 cm / 2¼"
- V-027-297** 6.5 cm / 2¾"
- V-027-298** 8.5 cm / 3½"
- V-027-299** 10.5 cm / 4½"

Glover



De Bakey

De Bakey



De Bakey-Mosquito

Straight

Curved

De Bakey-Crile

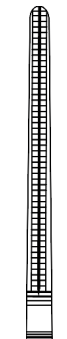
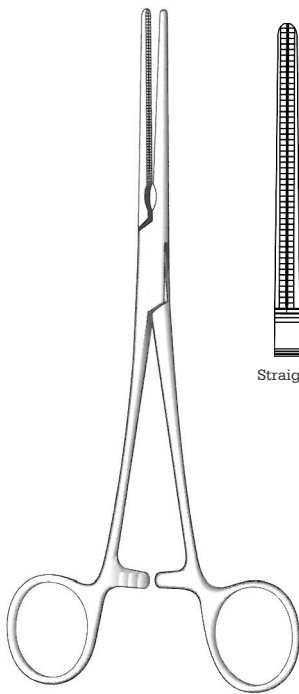
- V-027-314 Straight
- V-027-315 Curved

De Bakey-Crile-Rankin

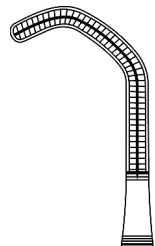
- V-027-316 Straight
- V-027-317 Curved

Cardiovascular Forceps

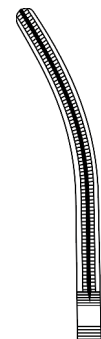
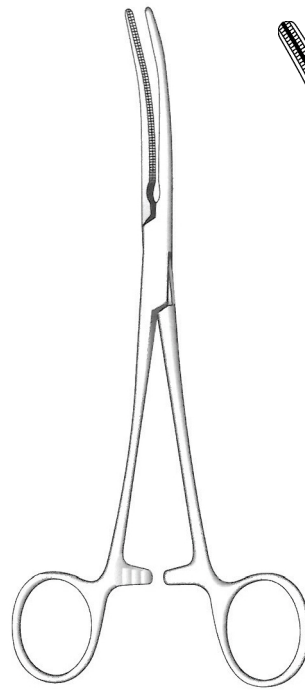
Atrauma Haemostatic Forceps and Atrauma Cardiovascular Forceps
 Atrauma-Arterienklemmen und Atrauma Cardiovascular-Klemmen
 Atrauma hemostaticas Pinzas Y Atrauma Pinzas-Clamps Cardiovasculares



Straight



Angled



Curved

De Bakey-Pean

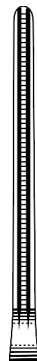
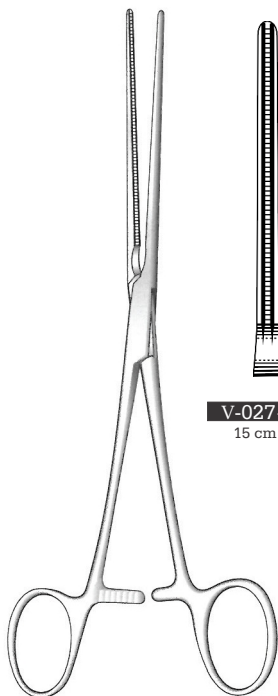
V-027-318	16.5 cm / 6½"	V-027-640
V-027-319	18.5 cm / 7¼"	V-027-642
V-027-321	20.5 cm / 8"	V-027-644
V-027-322	26 cm / 10¼"	V-027-646
V-027-323	28 cm / 11"	V-027-648

Straight

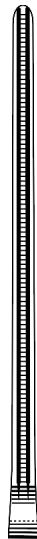
Angled

De Bakey-Pean

V-027-324	16.5 cm / 6½"
V-027-325	18.5 cm / 7¼"
V-027-326	20.5 cm / 8"
V-027-327	26 cm / 10¼"
V-027-328	28 cm / 11"

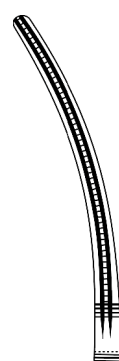
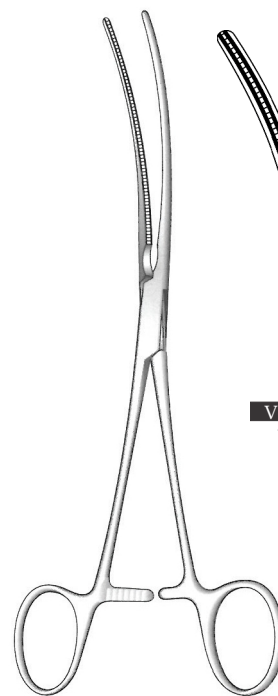


V-027-329
15 cm / 6"

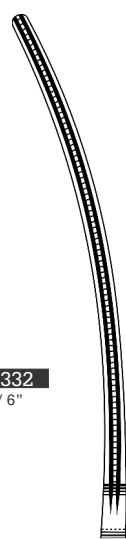


V-027-331
18 cm / 7"

Bainbridge
Straight

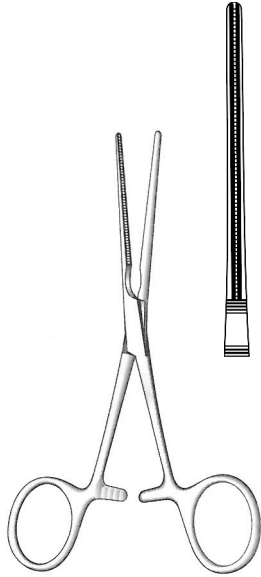


V-027-332
15 cm / 6"

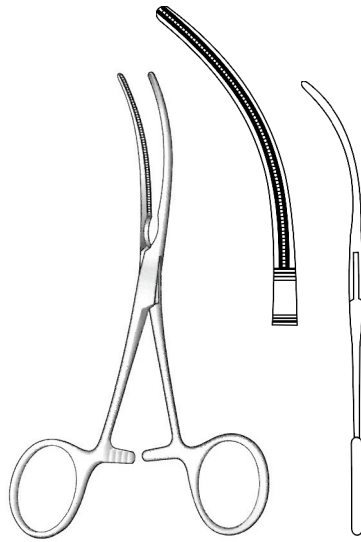


V-027-333
18 cm / 7"

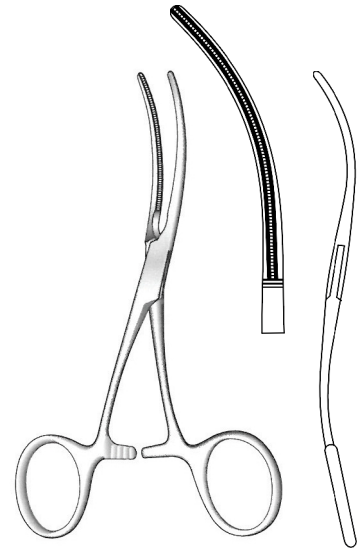
Bainbridge
Curved



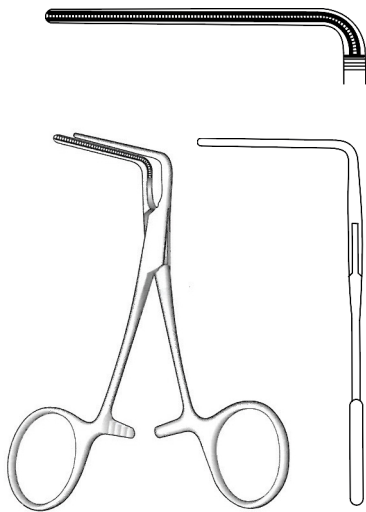
De Bakey
V-027-334
 12 cm / 4 3/4"



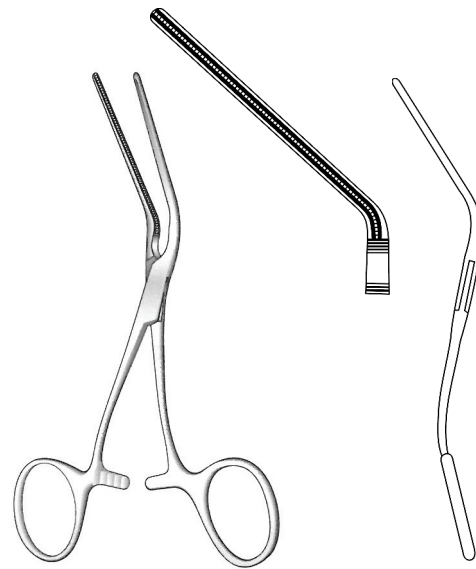
De Bakey
V-027-335
 11 cm / 4 1/4"



De Bakey
V-027-336
 12 cm / 4 3/4"



De Bakey
V-027-337
 10 cm / 4"



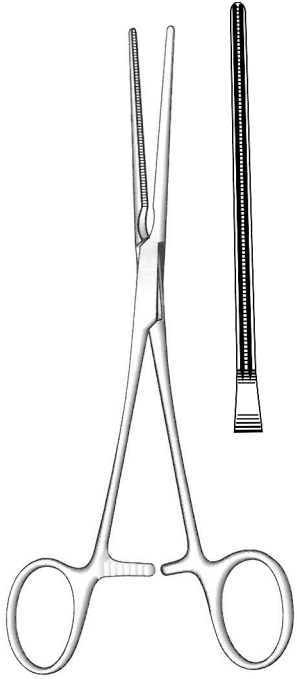
De Bakey
V-027-338
 13 cm / 5 1/4"

Cardiovascular Forceps

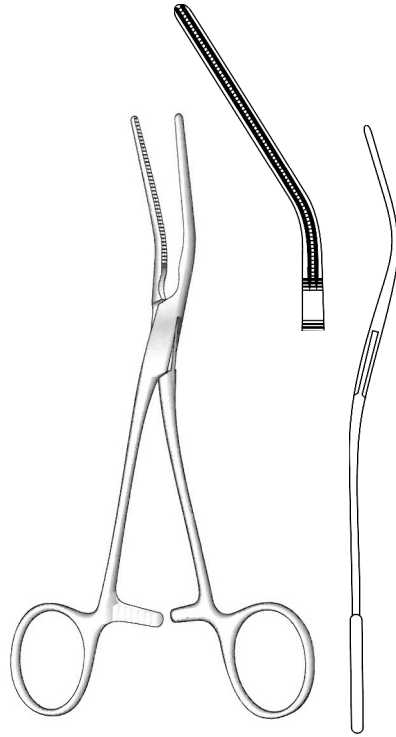
Atrauma Cardiovascular Forceps

Atrauma Cardiovascular - Klemmen

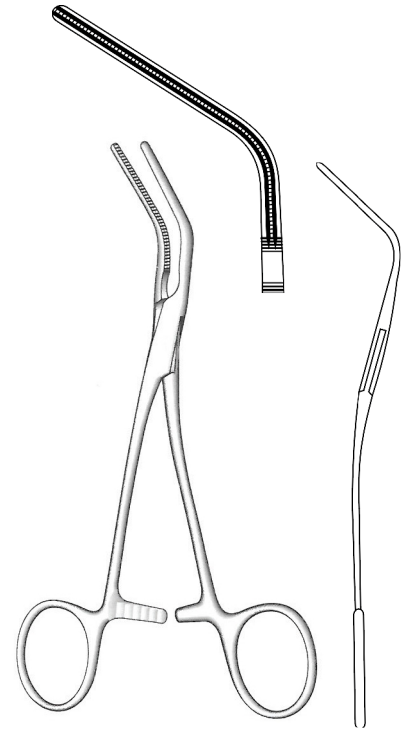
Atrauma Pinzas-clamps cardiovasculares



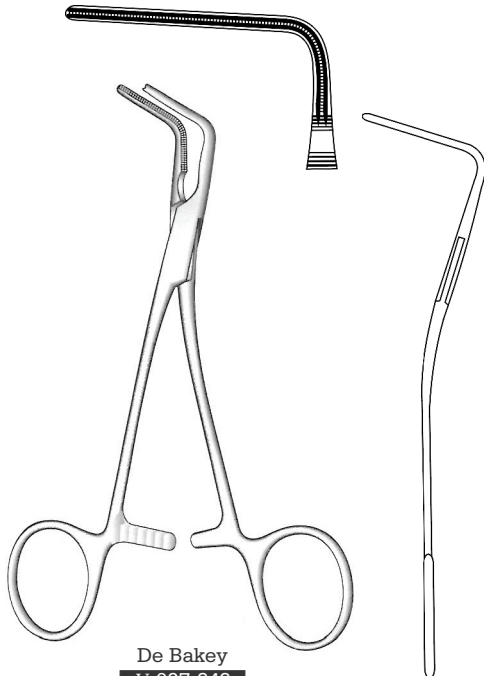
De Bakey
V-027-339
17 cm / 6¾"



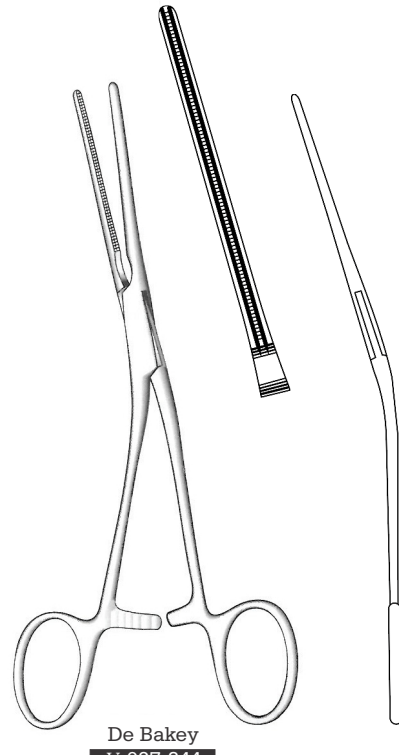
De Bakey
V-027-341
16 cm / 6¼"



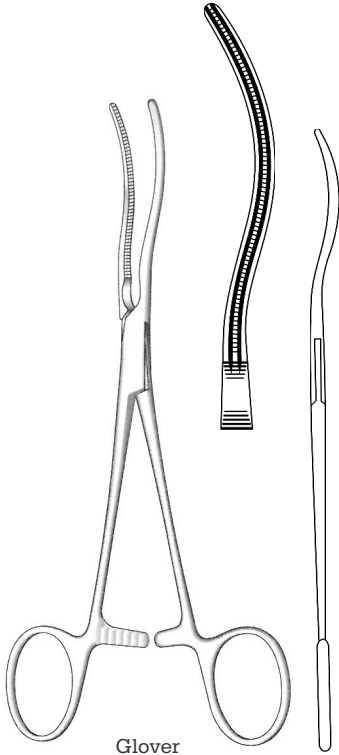
De Bakey
V-027-342
15 cm / 6"



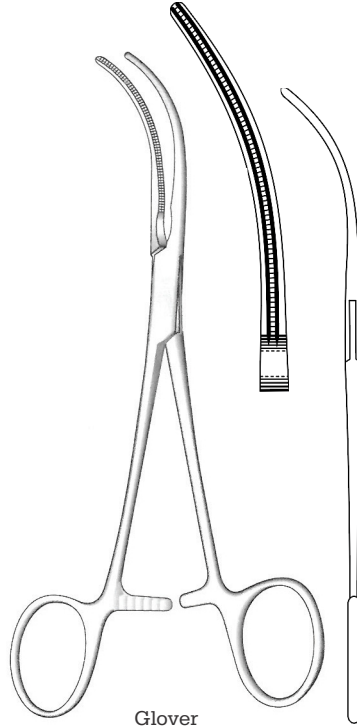
De Bakey
V-027-343
15 cm / 6"



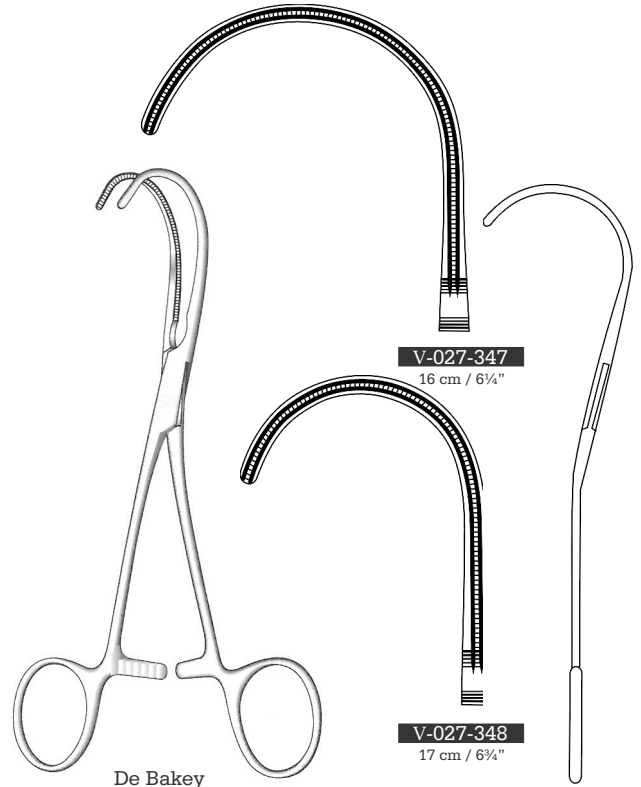
De Bakey
V-027-344
17 cm / 6¾"



Glover
V-027-345
 17 cm / 6 3/4"



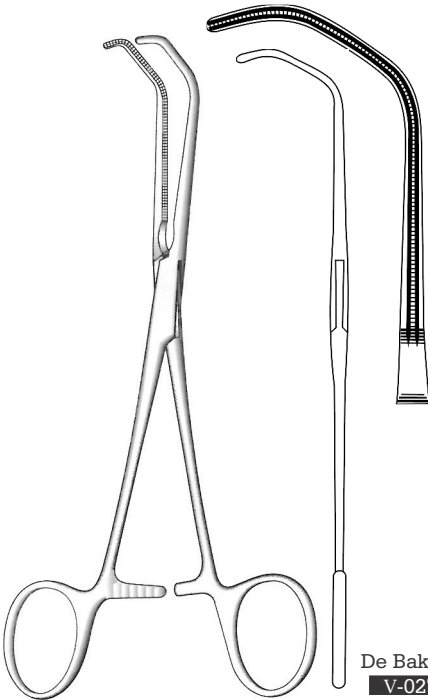
Glover
V-027-346
 17 cm / 6 3/4"



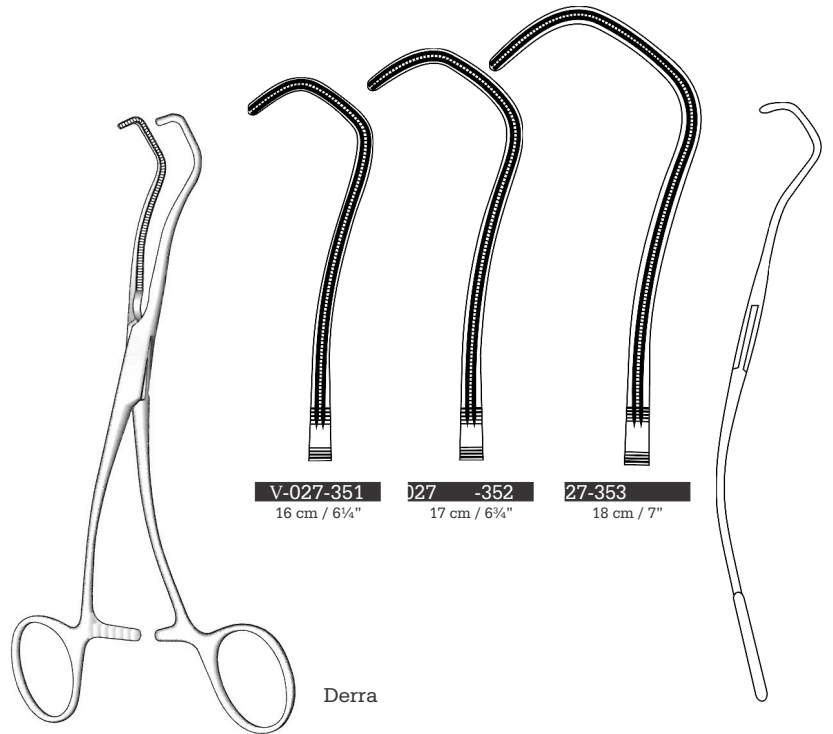
De Bakey

V-027-347
 16 cm / 6 1/4"

V-027-348
 17 cm / 6 3/4"



De Bakey-Beck
V-027-349
 17 cm / 6 3/4"



Derra

V-027-351
 16 cm / 6 1/4"

027 -352
 17 cm / 6 3/4"

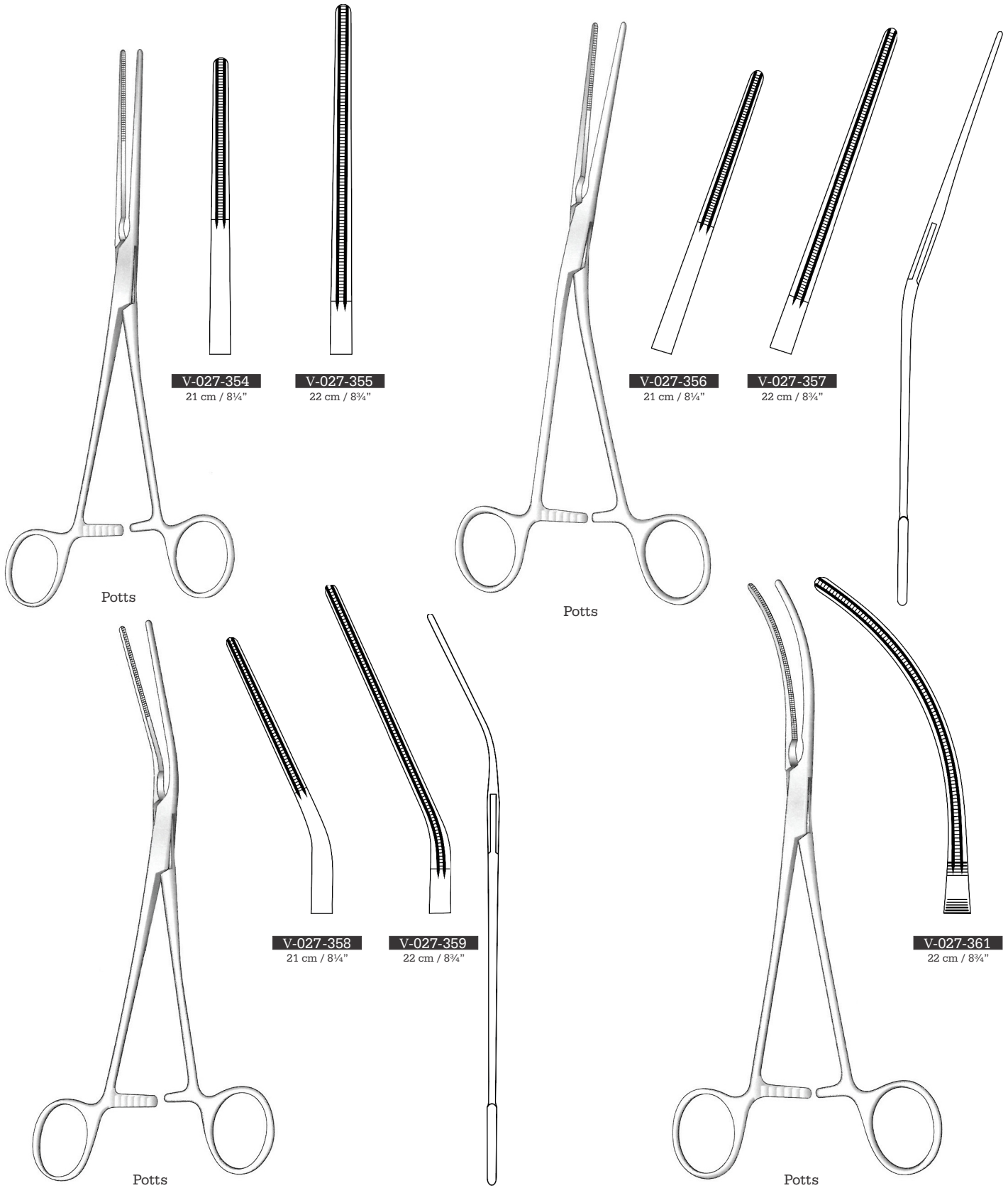
27-353
 18 cm / 7"

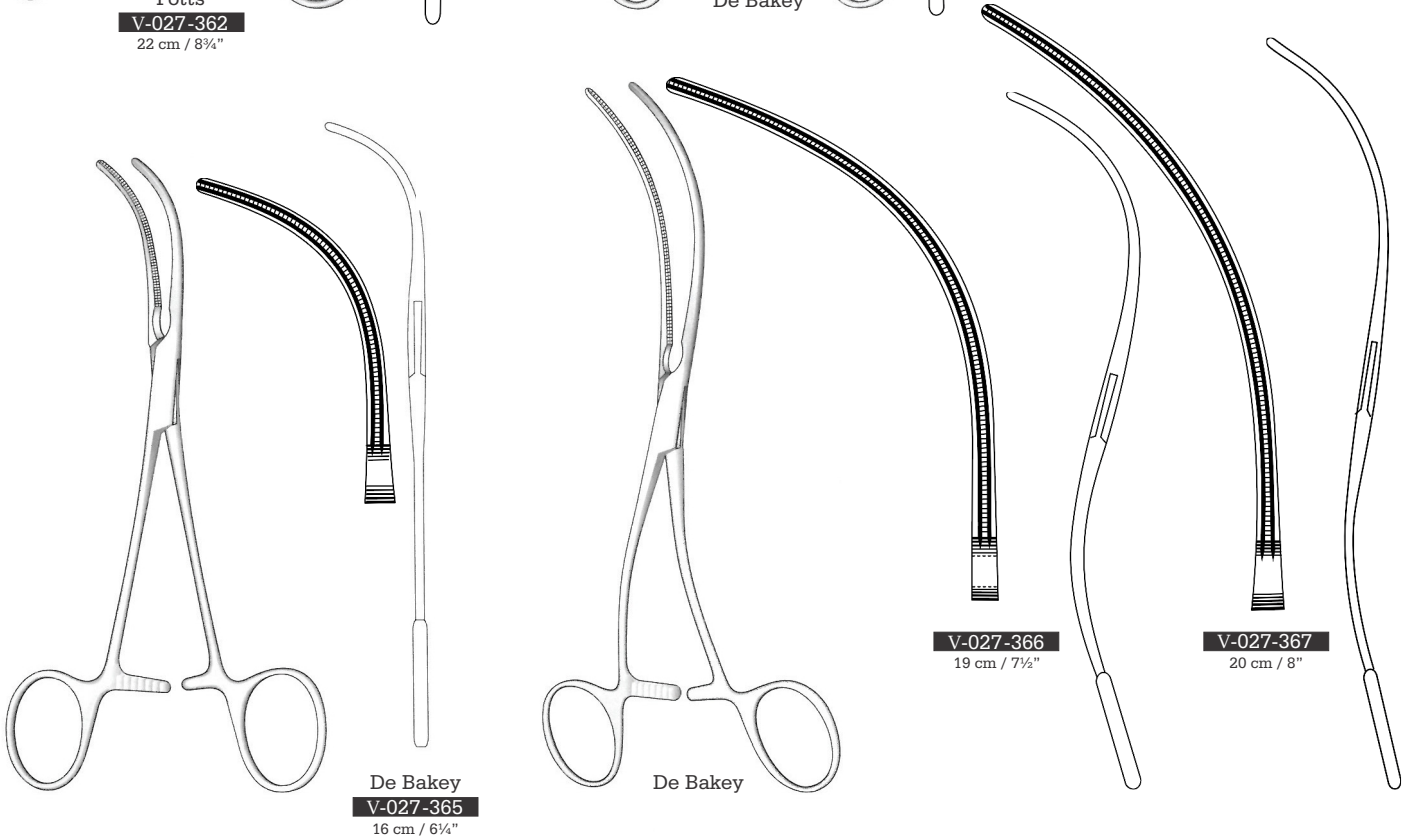
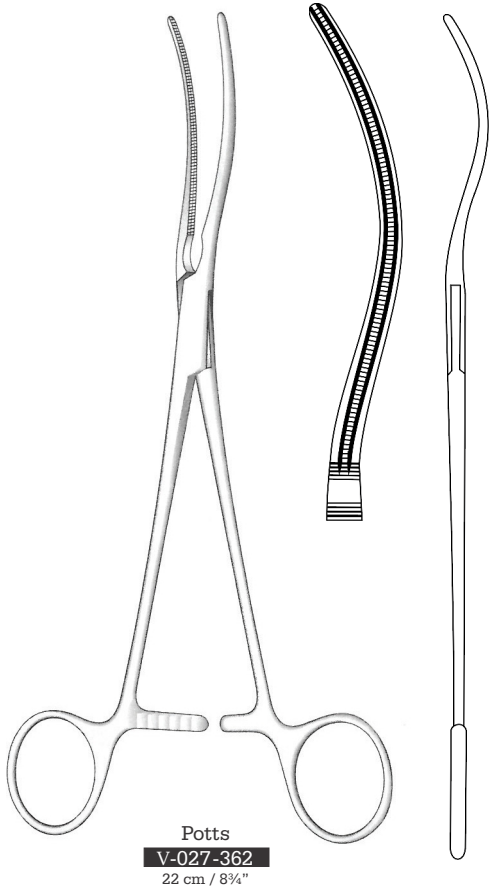
Cardiovascular Forceps

Atrauma Cardiovascular Forceps

Atrauma Cardiovascular - Klemmen

Atrauma Pinzas- Clamps Cardiovasculares



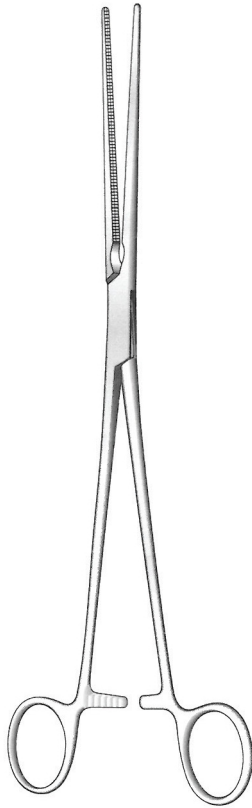


Cardiovascular Forceps

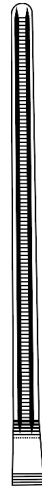
Atrauma Cardiovascular Forceps

Atrauma Cardiovascular-Klemmen

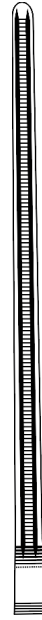
Atrauma Pinzas-Clamps Cardiovasculares



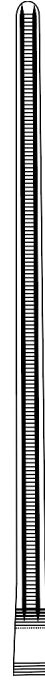
Potts
Straight



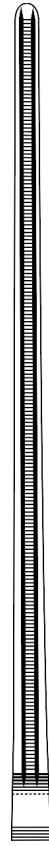
V-027-368
21.5 cm / 8½"



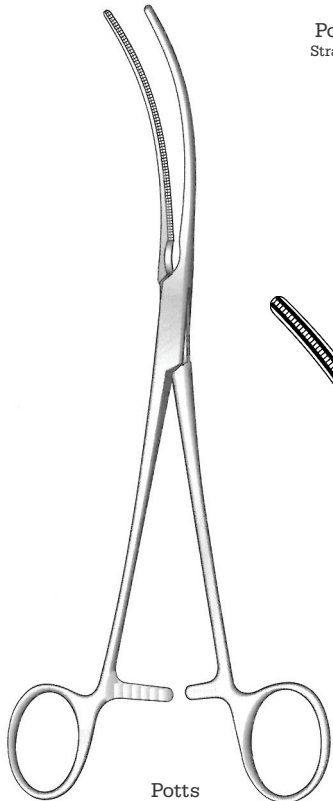
V-027-369
23 cm / 9"



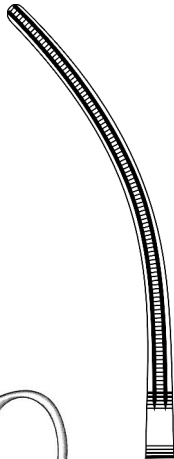
V-027-371
27 cm / 10½"



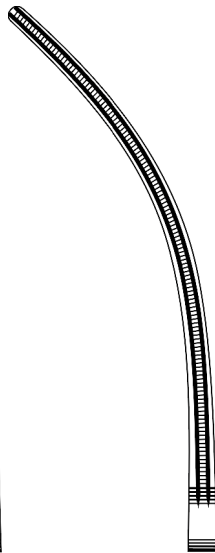
V-027-372
31.5 cm / 12½"



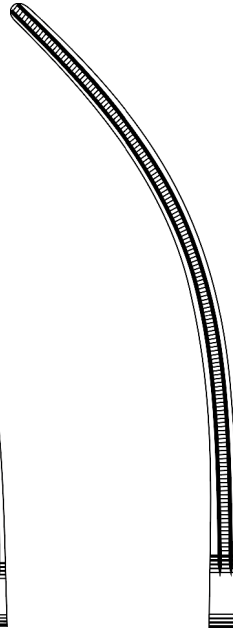
Potts
Curved



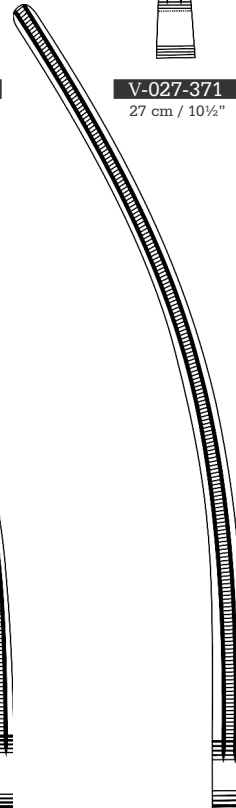
V-027-373
21.5 cm / 8½"



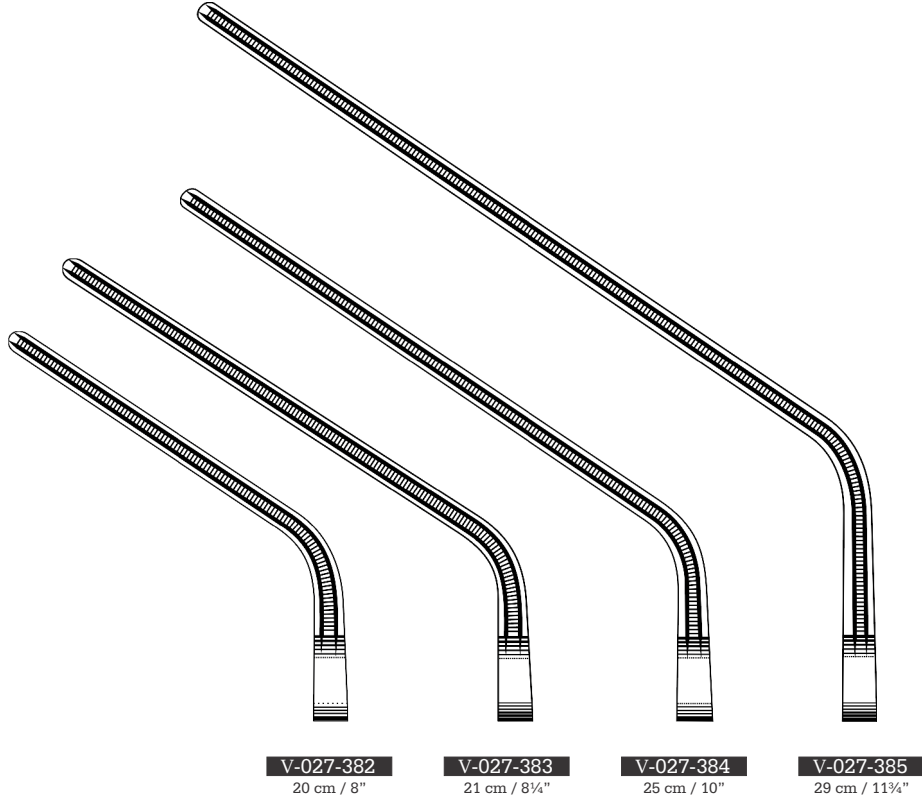
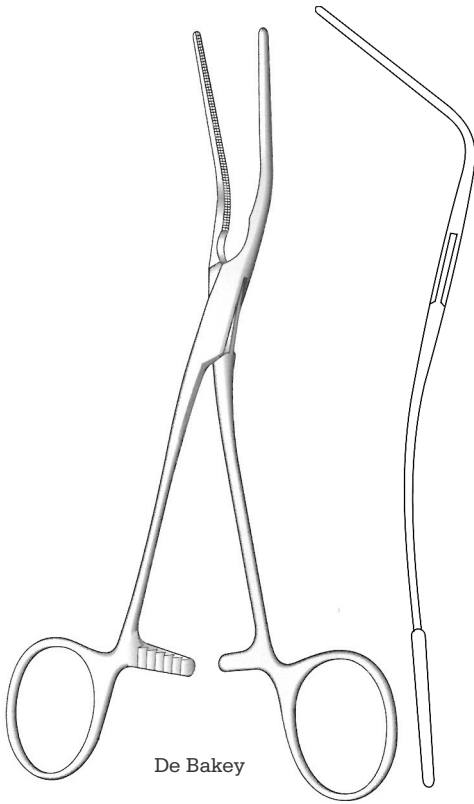
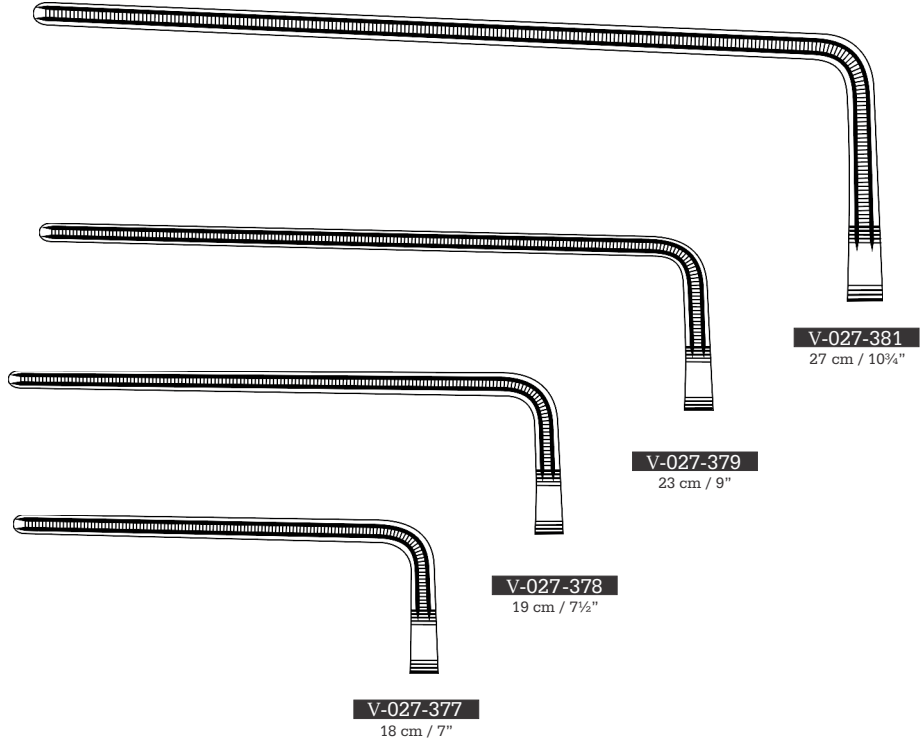
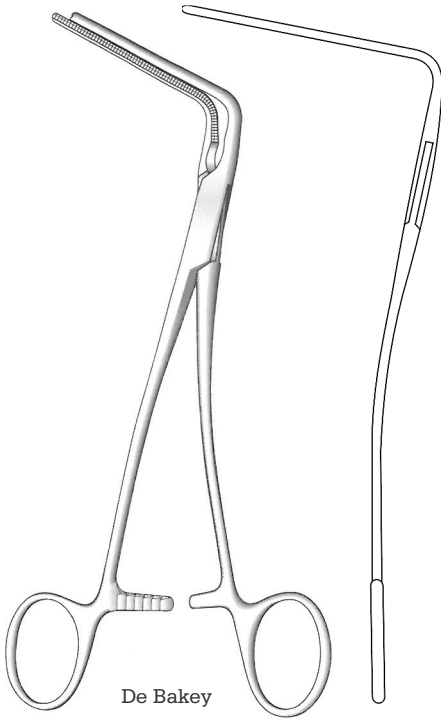
V-027-374
23 cm / 9"



V-027-375
27 cm / 10½"



V-027-376
31.5 cm / 12½"

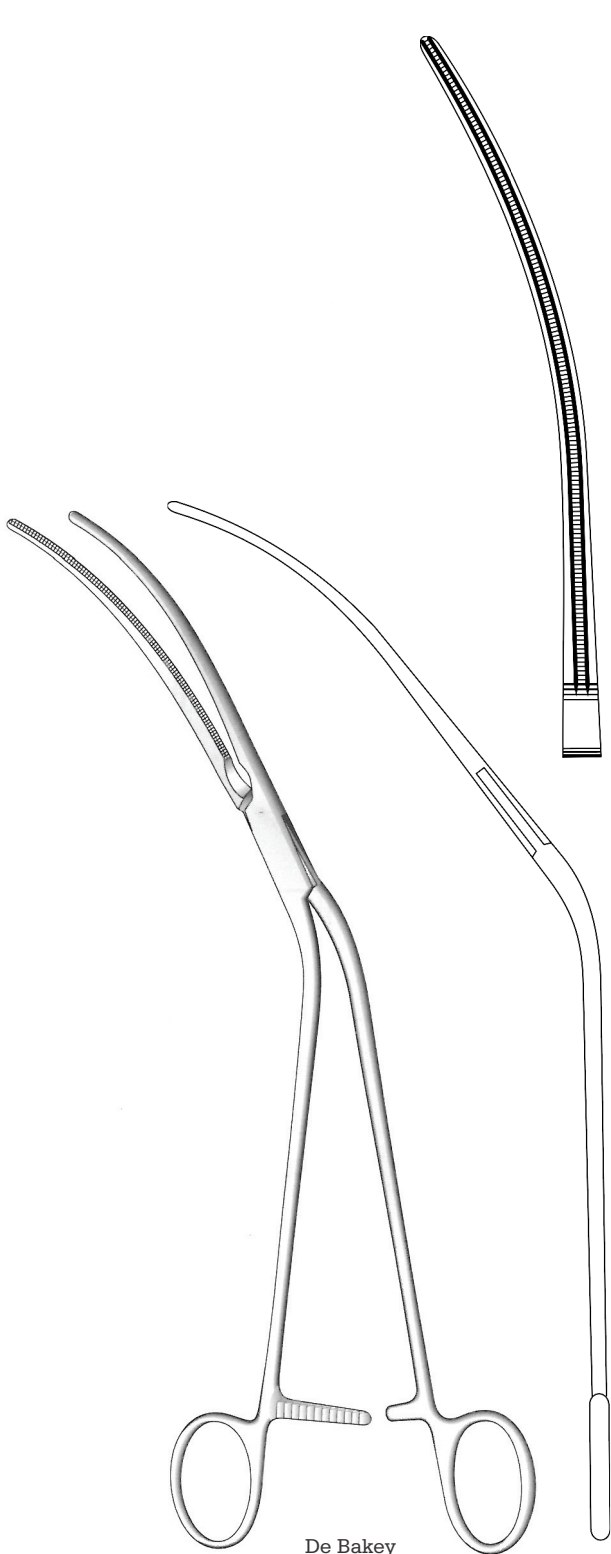


Cardiovascular Forceps

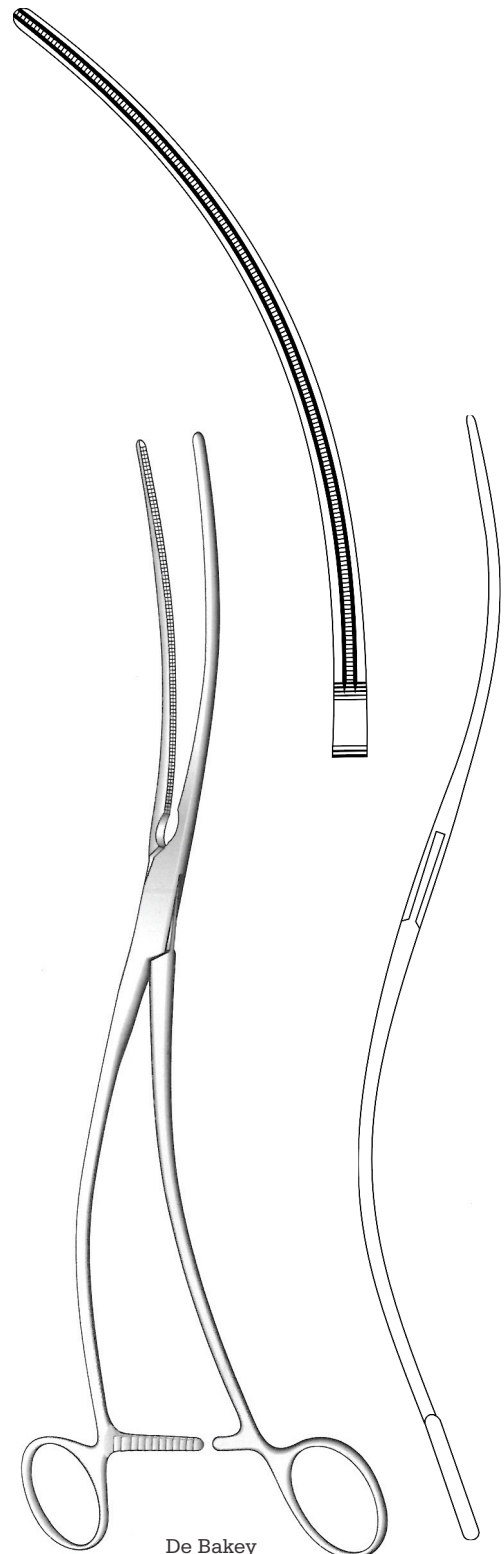
Atrauma Cardiovascular Forceps

Atrauma Cardiovascular-Klemmen

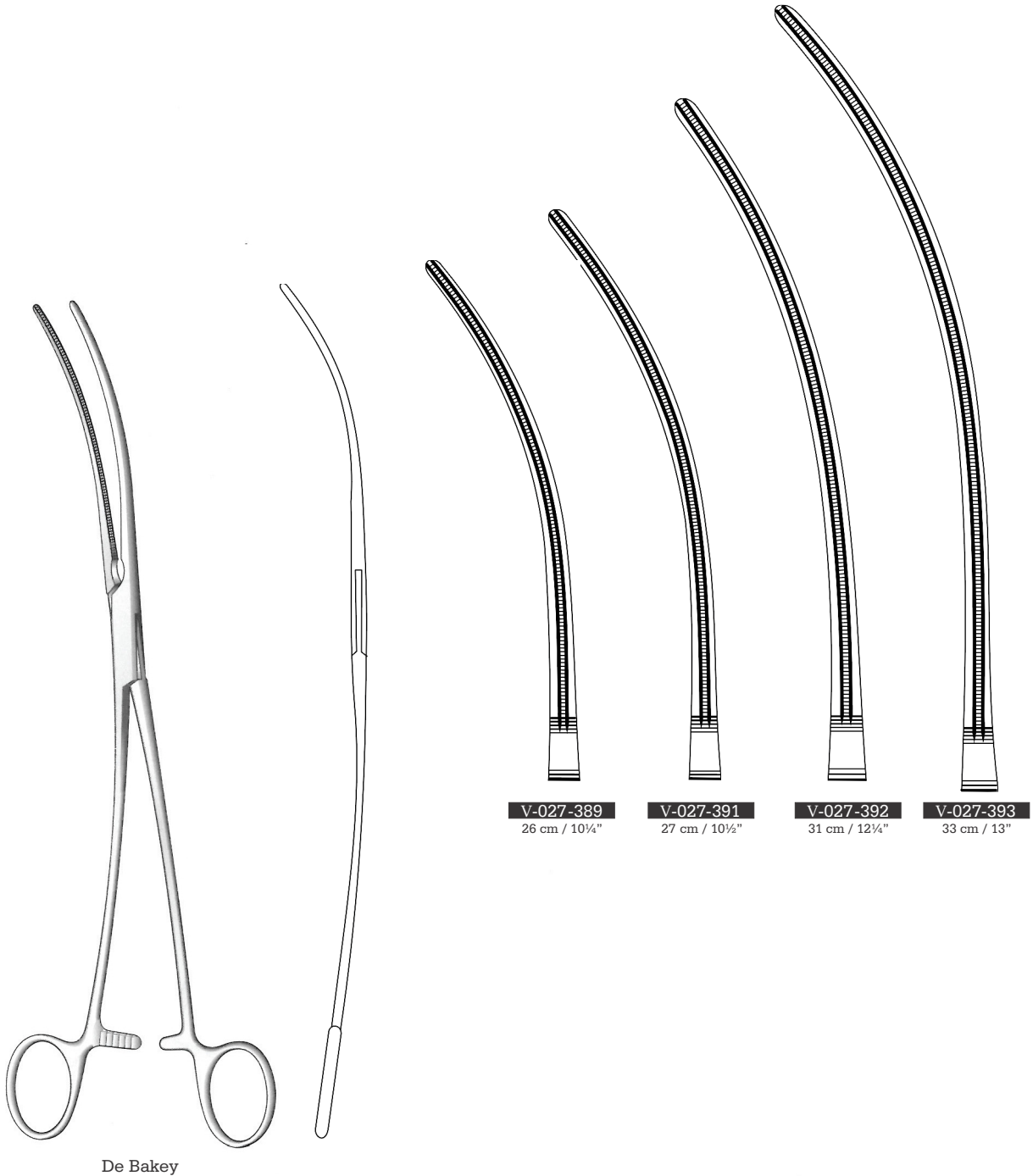
Atrauma Pinzas-Clamps Cardiovasculares



De Bakey
V-027-386
28 cm / 11"



De Bakey
V-027-387
30 cm / 12"

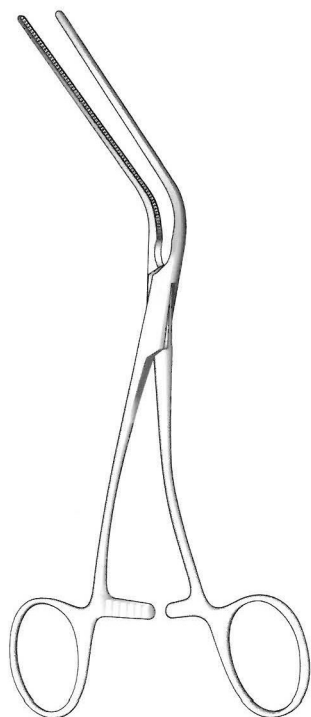


Cardiovascular Forceps

Atrauma Cardiovascular Forceps

Atrauma Cardiovascular-Klemmen

Atrauma Pinzas-clamps cardiovasculares



Leland-Jones



Cardiovascular Forceps

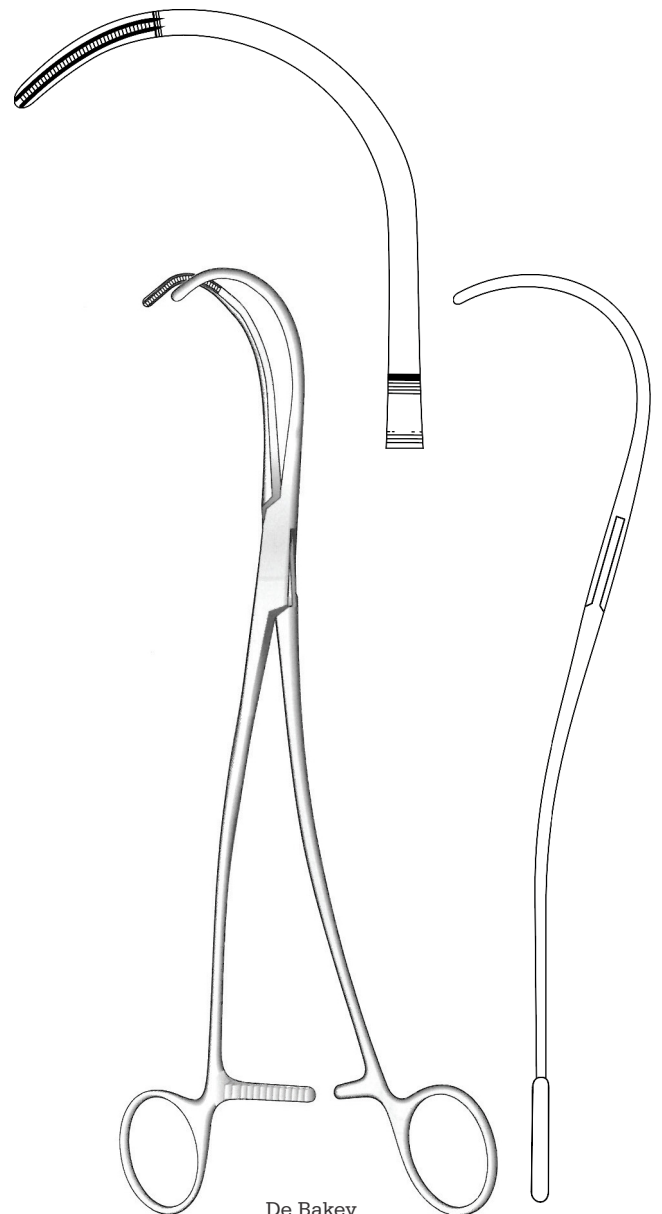
Atrauma Cardiovascular Forceps

Atrauma Cardiovascular-Klemmen

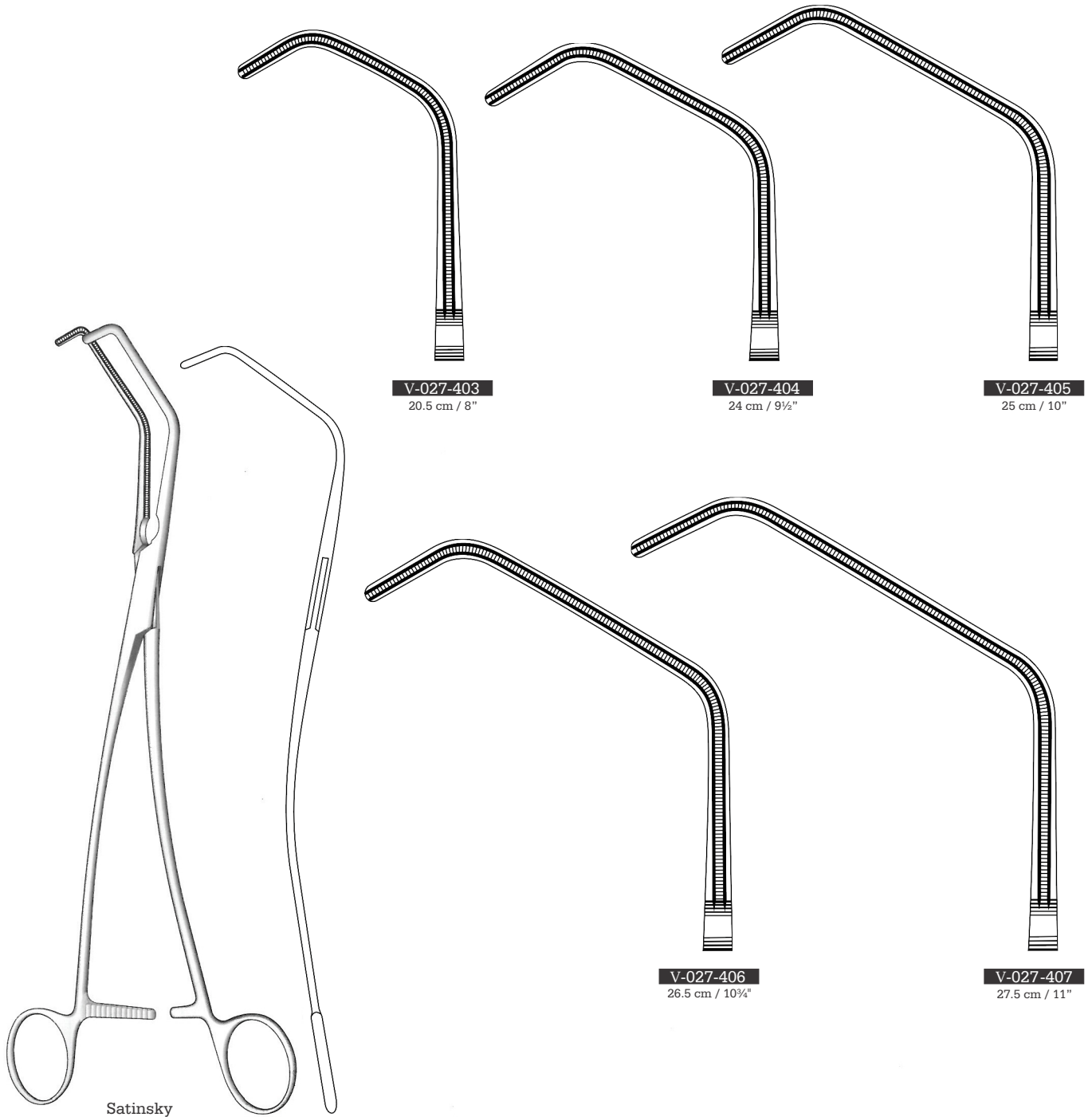
Atrauma Pinzas-clamps cardiovasculares



De Bakey
V-027-401
25 cm / 10"

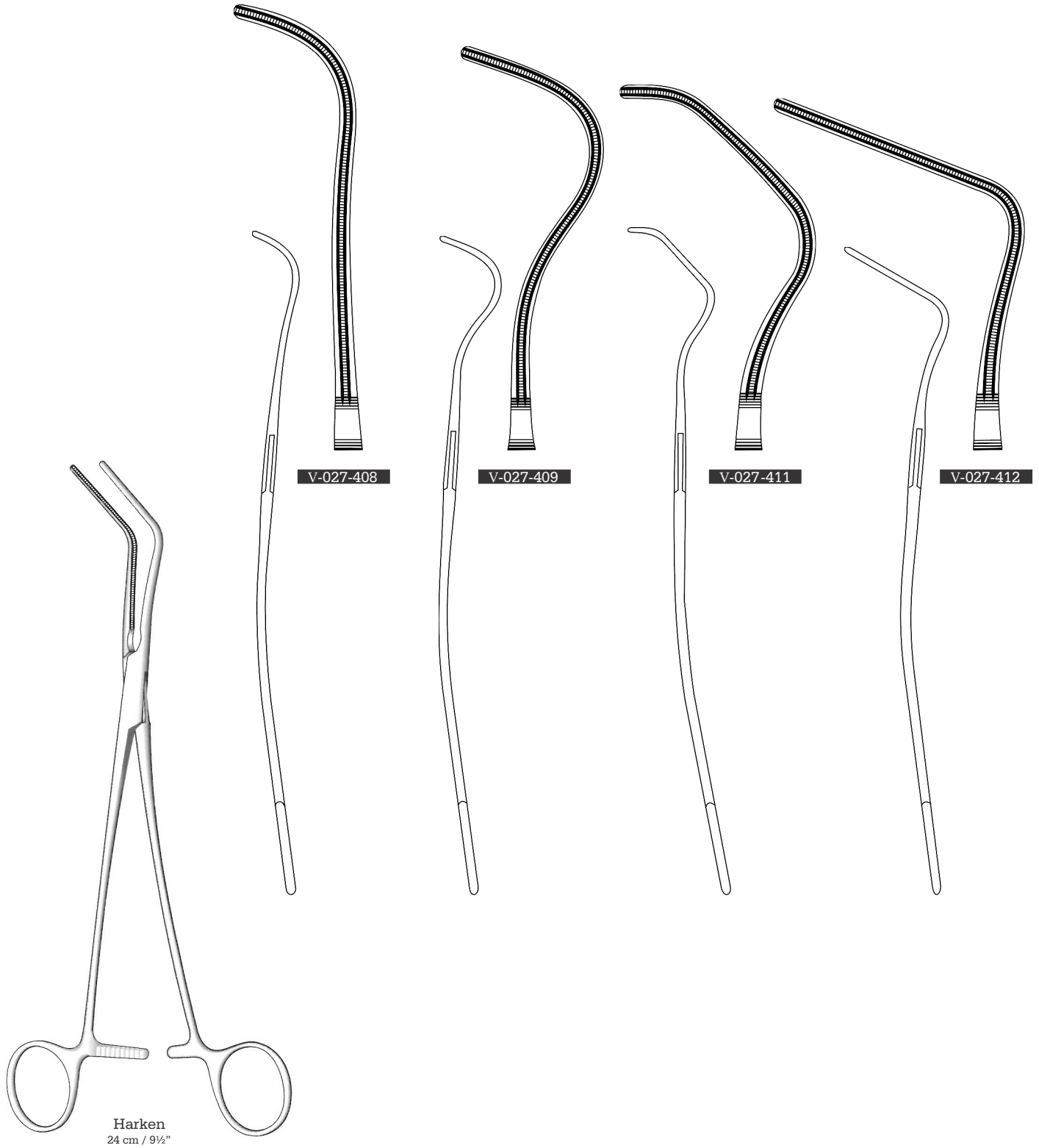


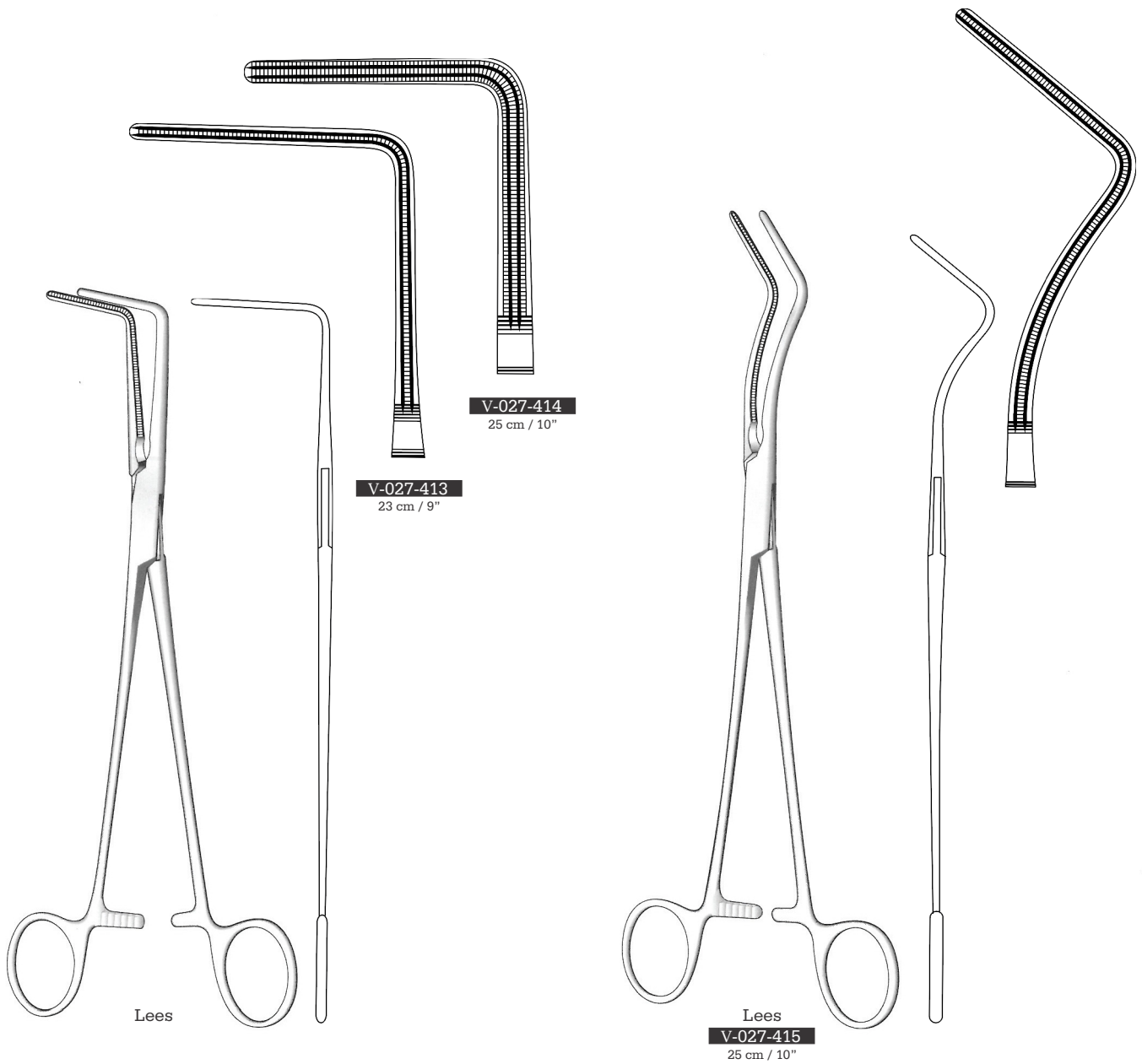
De Bakey
V-027-402
25 cm / 10"



Cardiovascular Forceps

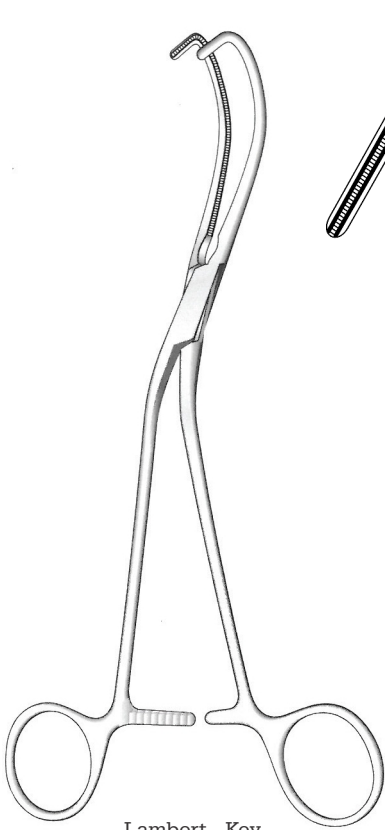
Auricle Clamps
Aurikelklemmen
Pinzas para auricula



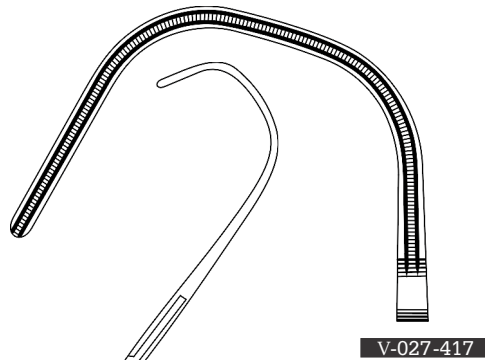


Cardiovascular Forceps

Anastomosis Clamps, Aortic Clamps
Anastomosenklemmen, Aortaklemmen
Pinzas para anastomosis, Pinzas aorticas



Lambert - Key



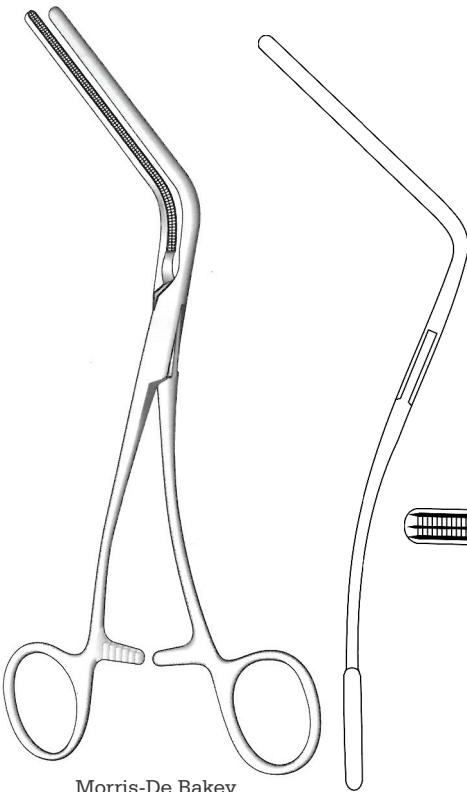
V-027-417



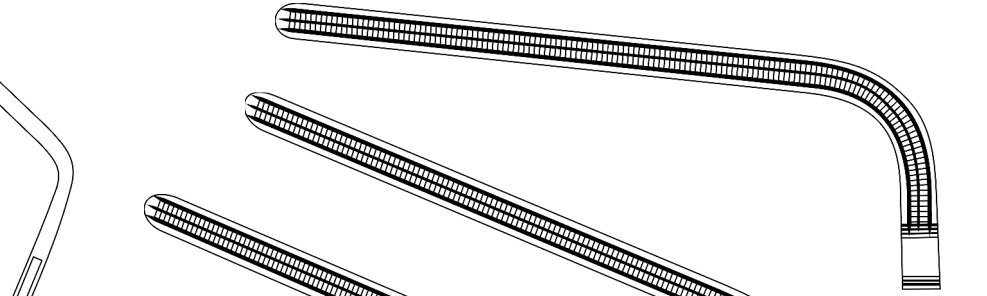
V-027-416



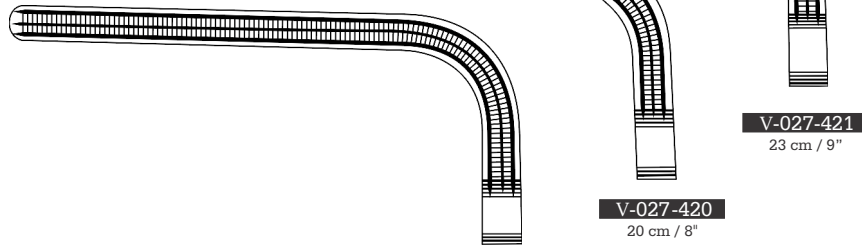
De Bakey
V-027-418
17 cm / 6 3/4"



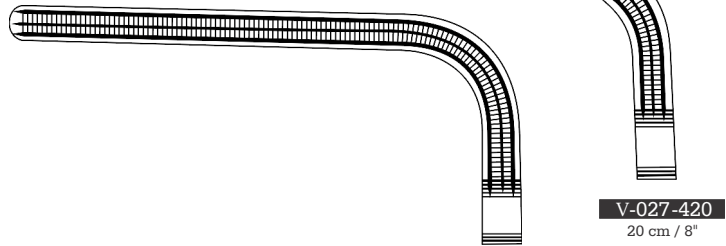
Morris-De Bakey



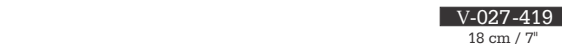
V-027-422
25 cm / 10"



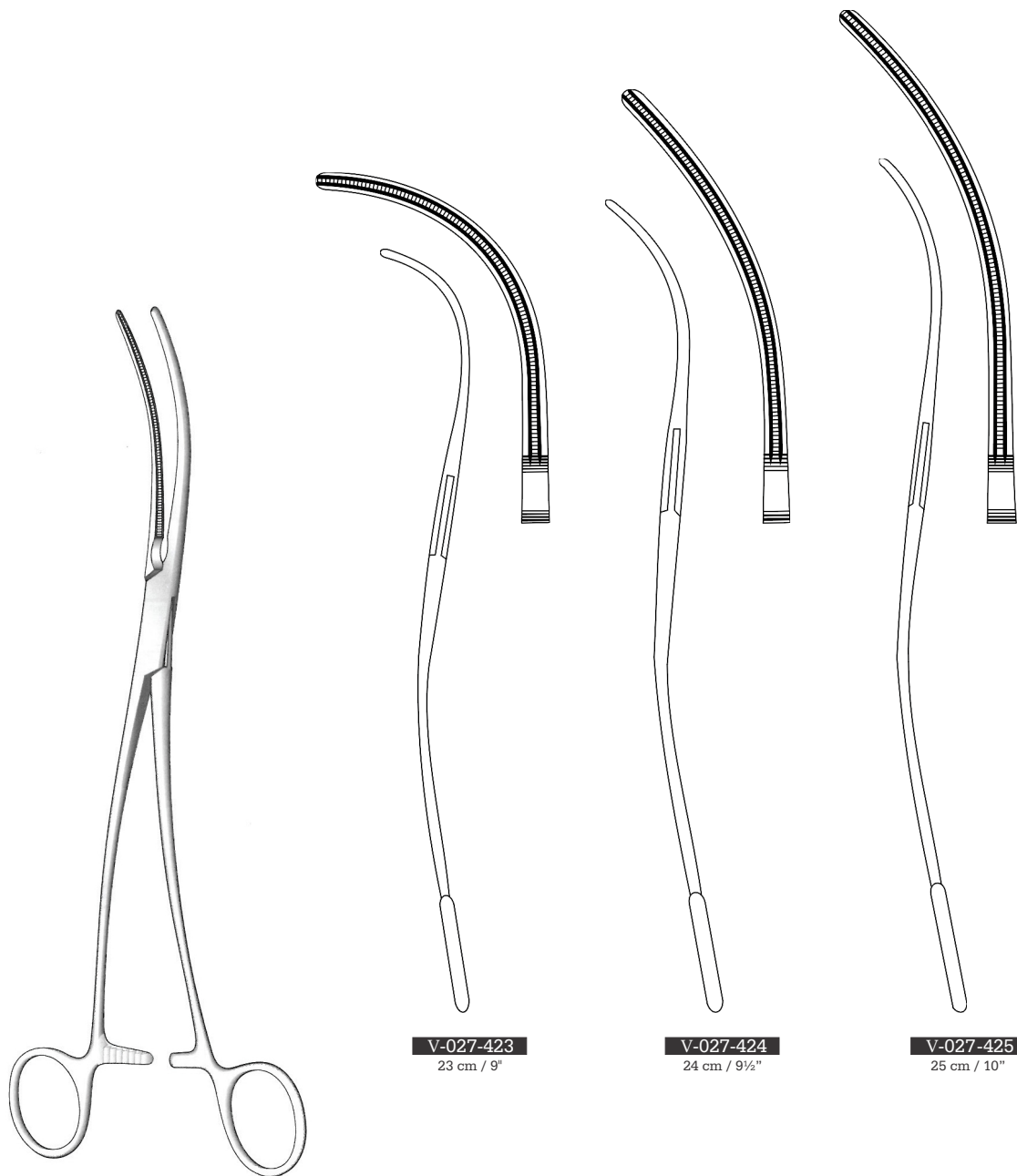
V-027-421
23 cm / 9"



V-027-420
20 cm / 8"



V-027-419
18 cm / 7"



De Bakey-Bahnson

V-027-423
23 cm / 9"

V-027-424
24 cm / 9½"

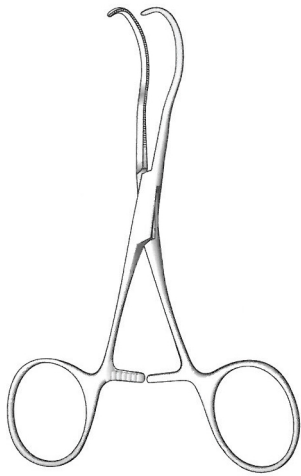
V-027-425
25 cm / 10"

Cardiovascular Forceps

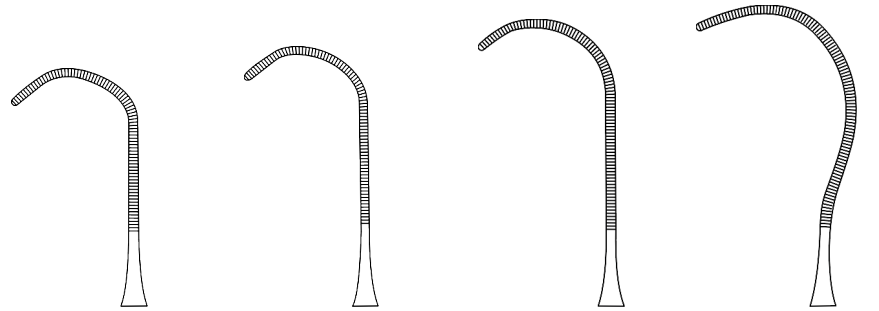
Neonatal and Pediatric Vascular Clamps, Very Delicate Patterns

Neonatal-und Kinder GefaBklemmen, Extrafeine Modelle

Pinzas-Clamps vasculares para recién nacidos Y pediátricos, Modelos muy delicados



Castaneda

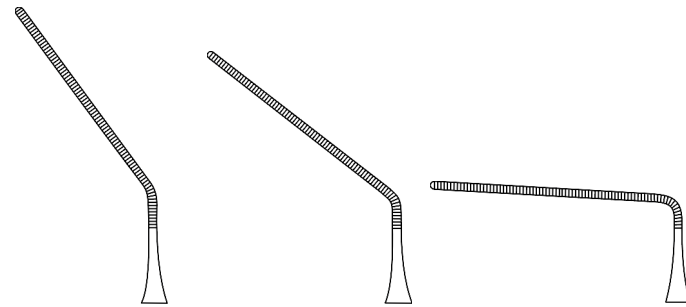


V-027-426
12 cm / 4 3/4"

V-027-427
12 cm / 4 3/4"

V-027-428
12 cm / 4 3/4"

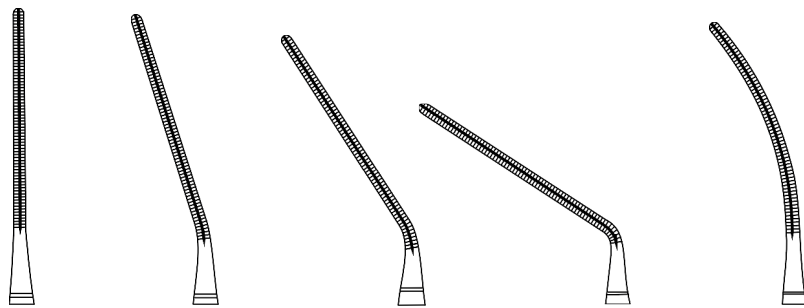
V-027-429
12 cm / 4 3/4"



V-027-431
13 cm / 5"

V-027-432
13 cm / 5"

V-027-433
11 cm / 4 1/2"



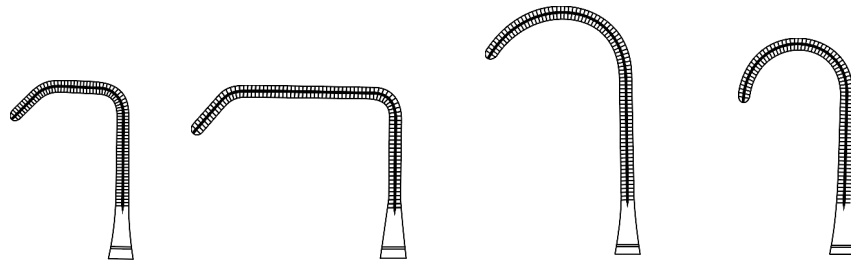
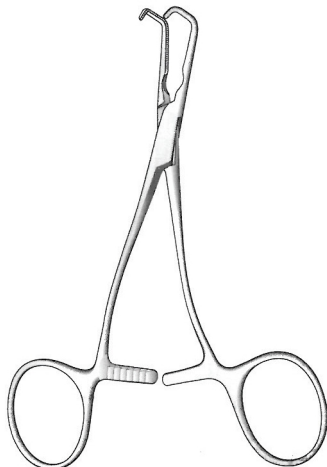
V-027-434
14 cm / 5 1/2"

V-027-435
14 cm / 5 1/2"

V-027-436
14 cm / 5 1/2"

V-027-437
13 cm / 5"

V-027-438
14 cm / 5 1/2"

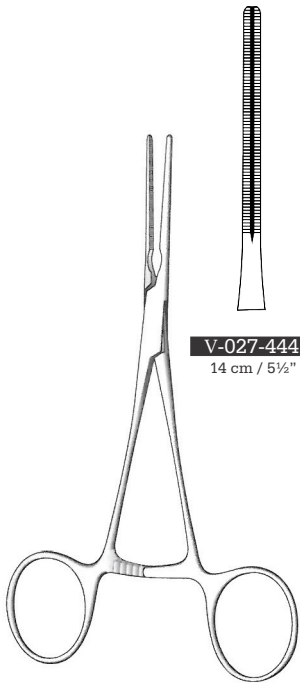


V-027-439
13 cm / 5"

V-027-441
13 cm / 5"

V-027-442
14 cm / 5 1/2"

V-027-443
13.5 cm / 5 1/4"



V-027-444
14 cm / 5½"

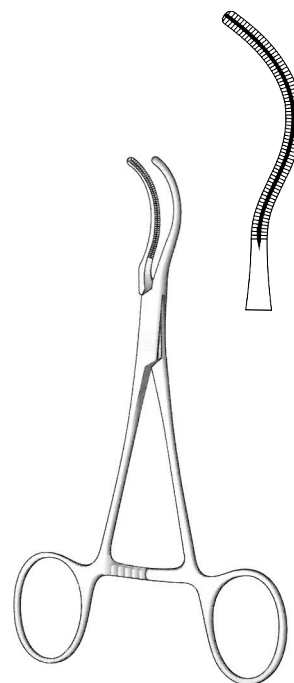
Cooley



V-027-445
14 cm / 5½"

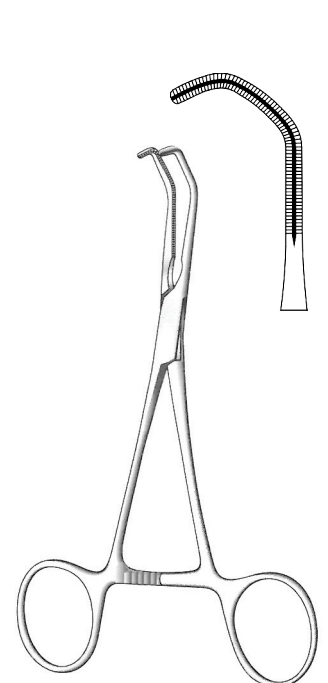
Cooley

V-027-446
14 cm / 5½"



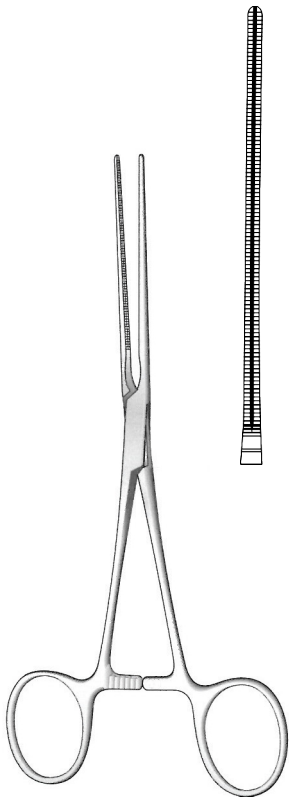
Cooley

V-027-447
14 cm / 5½"

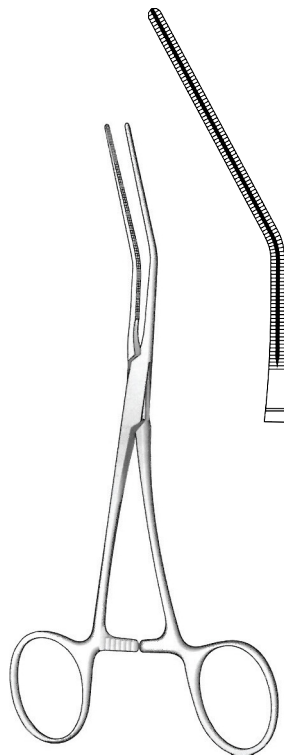


Cooley

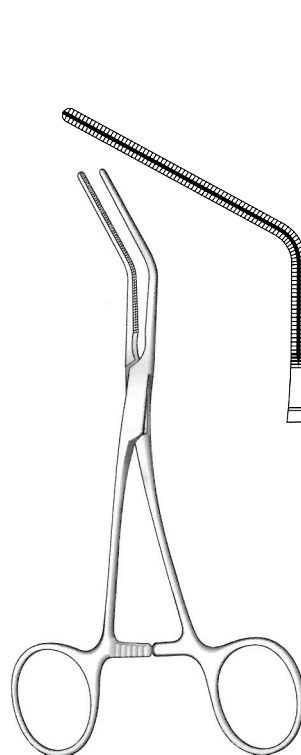
V-027-448
14 cm / 5½"



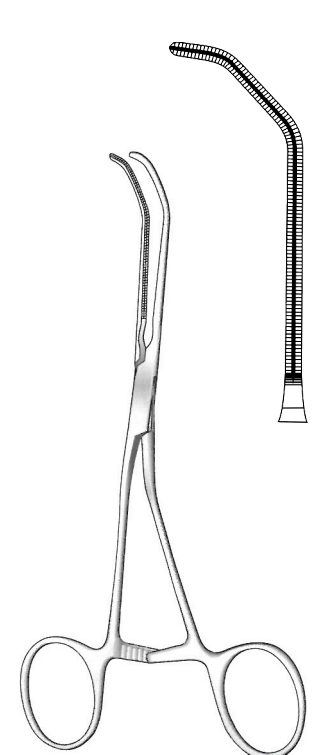
V-027-449
16.5 cm / 6½"



V-027-451
16 cm / 6¼"



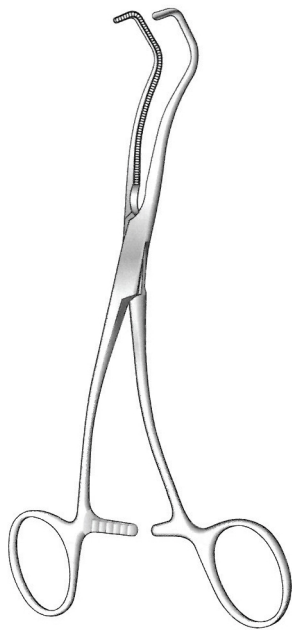
V-027-452
15 cm / 6"



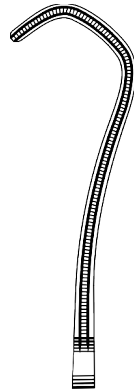
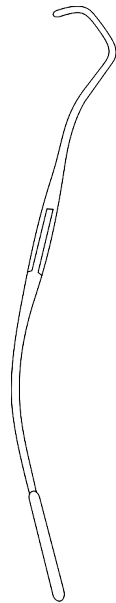
V-027-453
15.5 cm / 6"

Cardiovascular Forceps

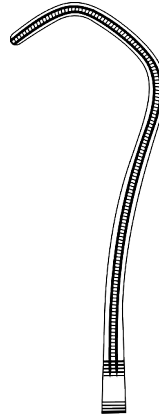
Anastomosis Clamps
Anastomosenklemmen
Pinzas para anastomosis



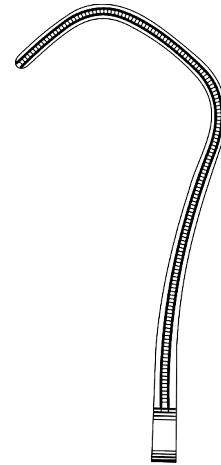
Cooley-Derra



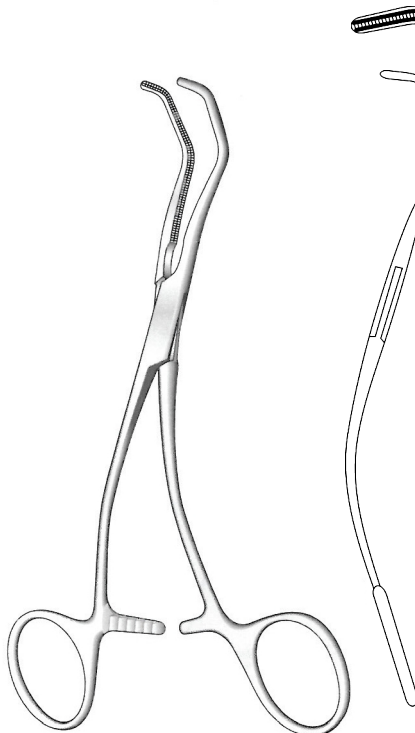
V-027-454
16 cm / 6¼"



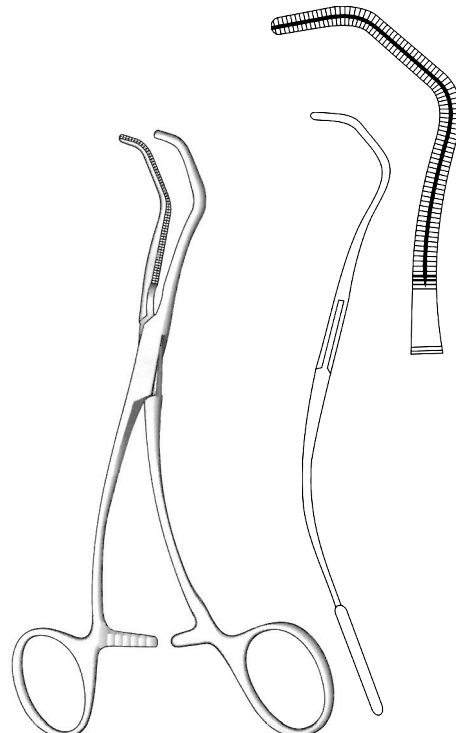
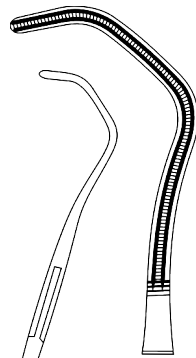
V-027-455
17 cm / 6¾"



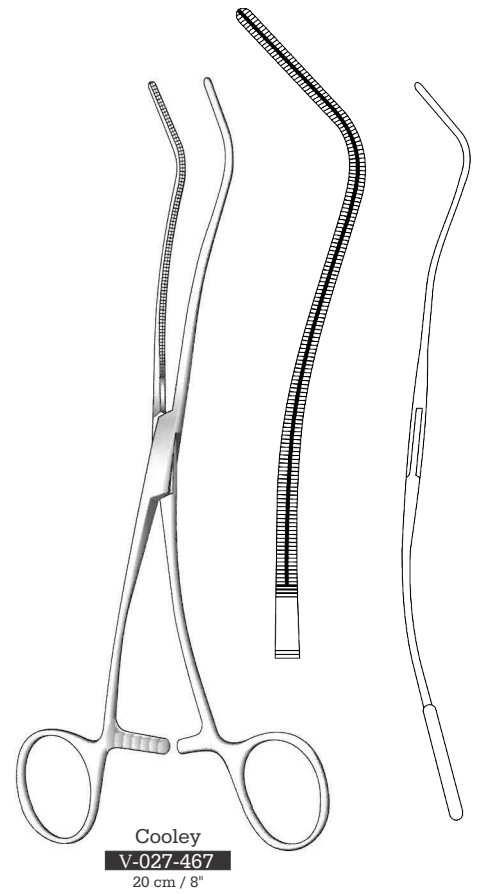
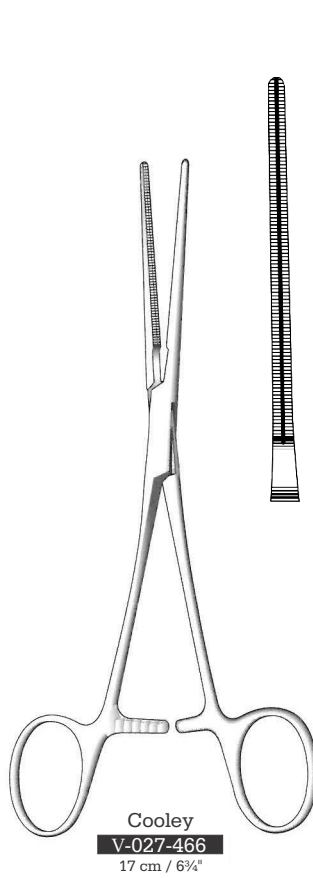
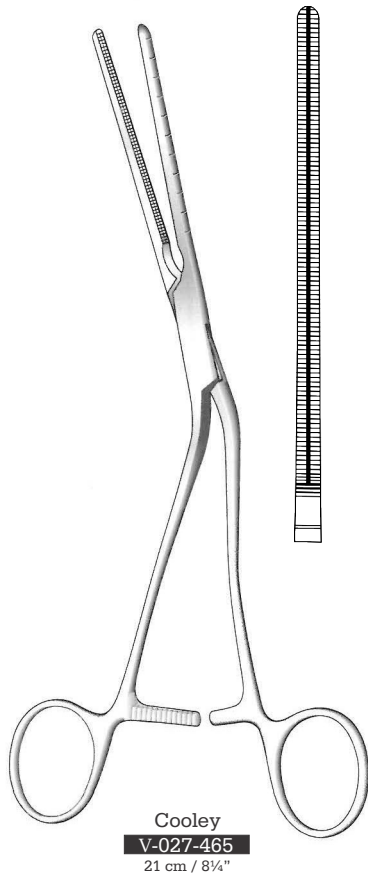
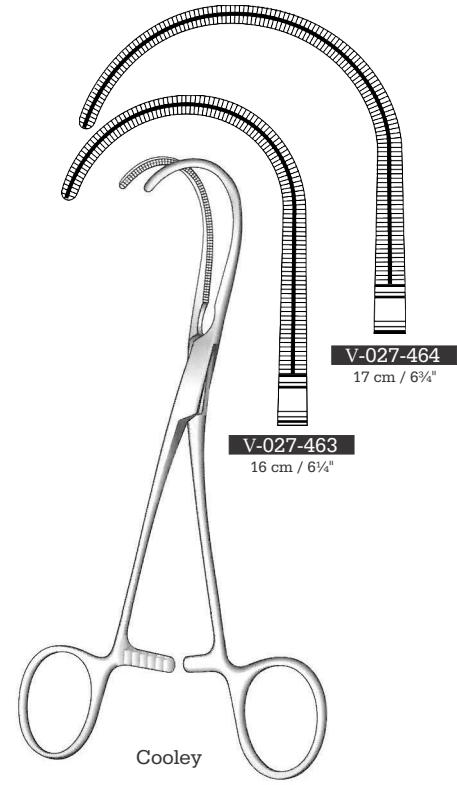
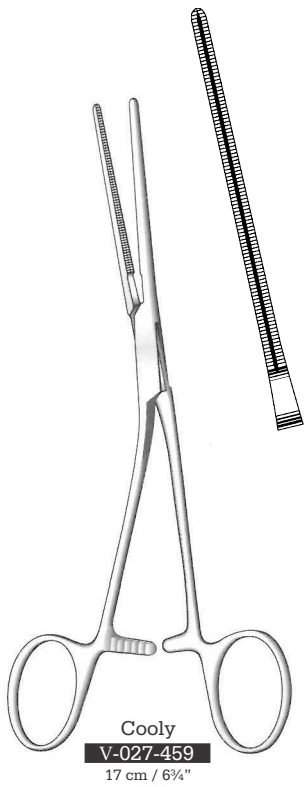
V-027-456
18 cm / 7"



Beck
V-027-457
17 cm / 6¾"



Cooley
V-027-458
16 cm / 6½"

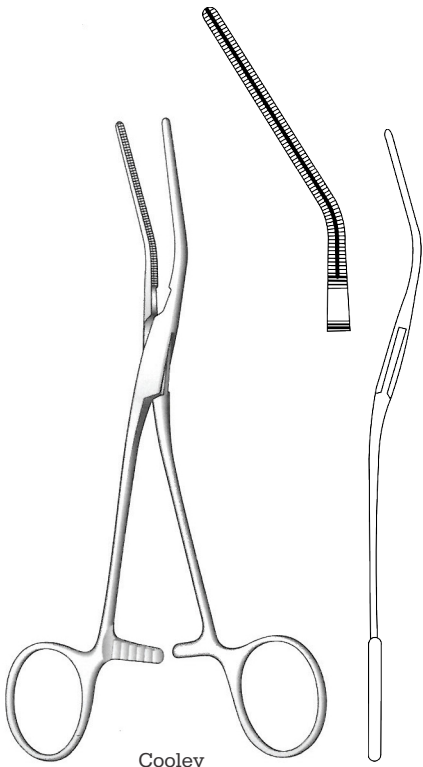


Cardiovascular Forceps

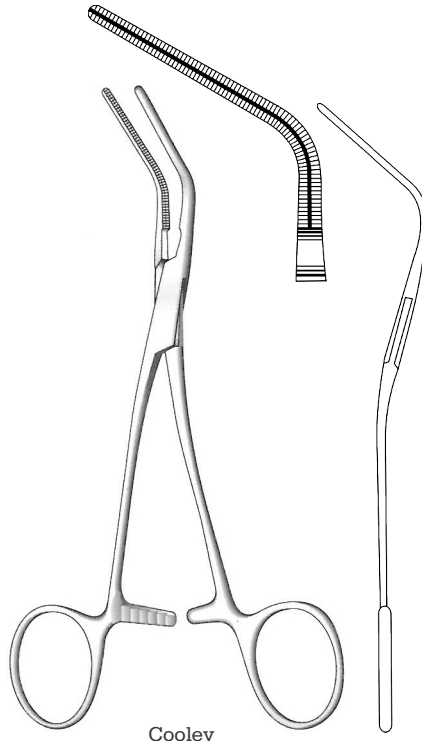
Anastomosis Clamps, Multi Purpose Vascular Clamps

Anastomosenklemmen, Mehrzweck-Gefaßklemmen

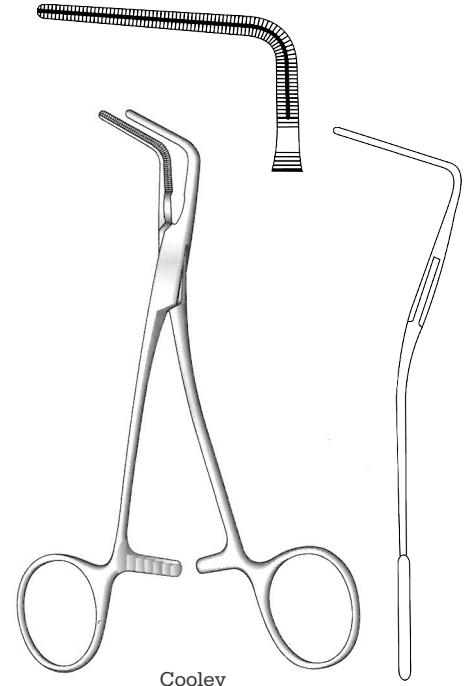
Pinzas para anastomosis, Pinzas vasculares de usos multiples



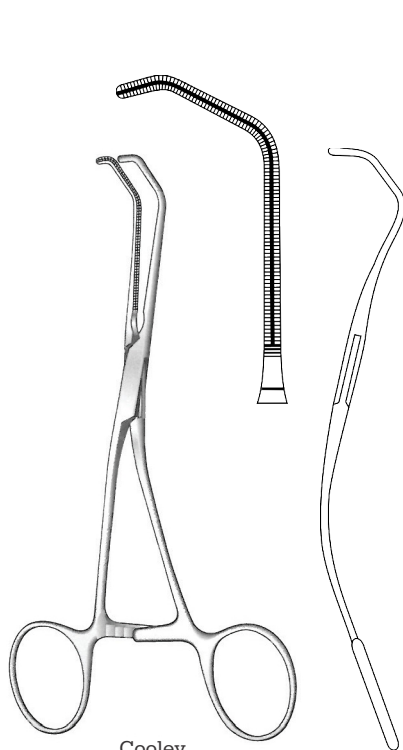
Cooley
V-027-468
17 cm / 6¾"



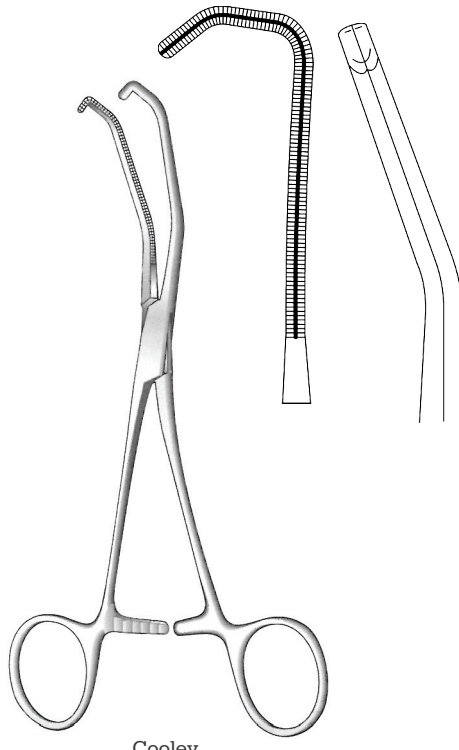
Cooley
V-027-469
15 cm / 6"



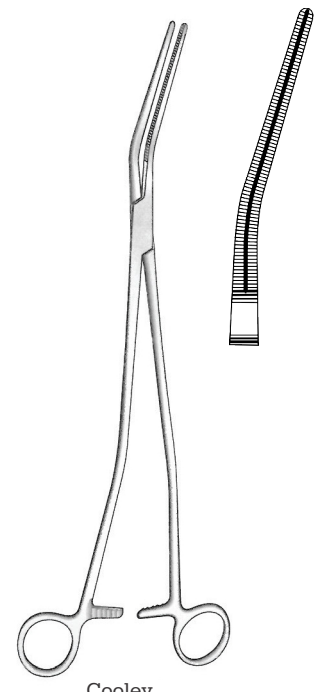
Cooley
V-027-471
15 cm / 6"



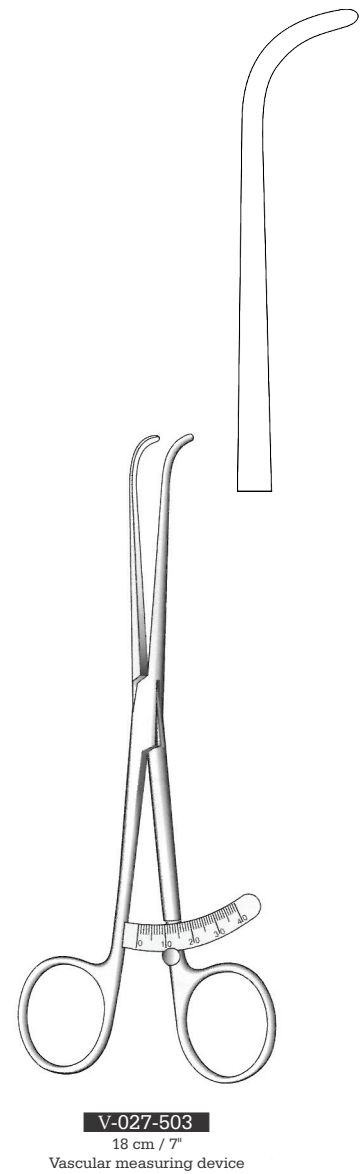
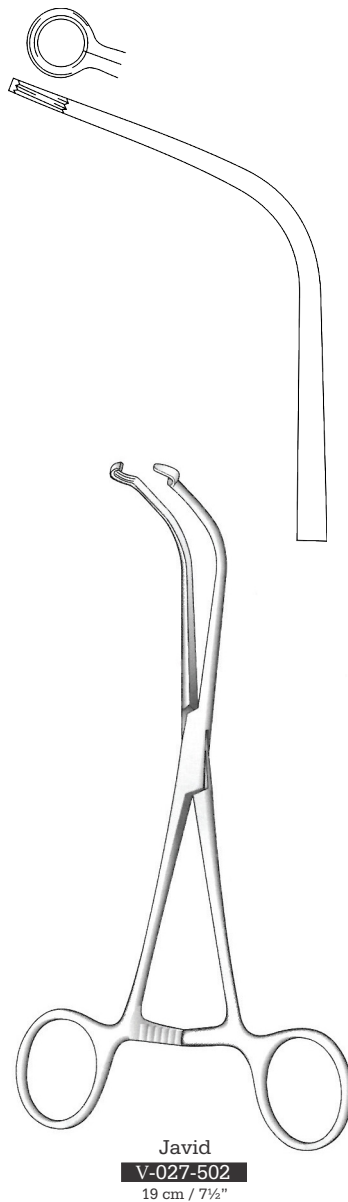
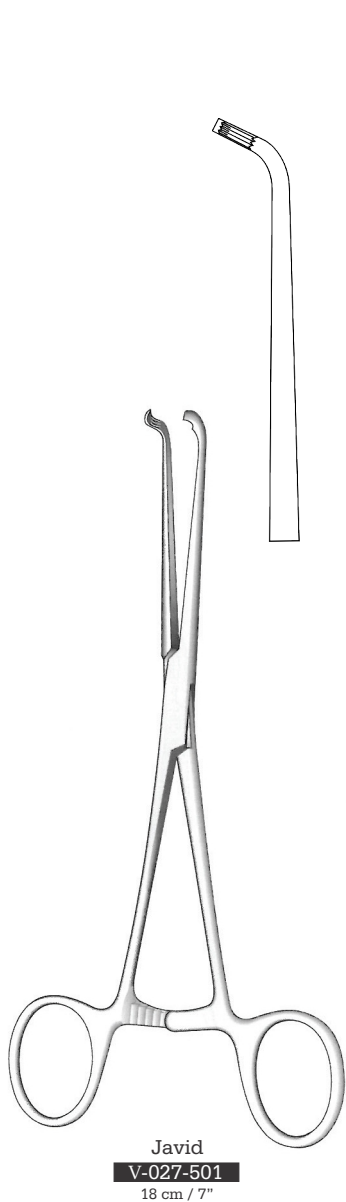
Cooley
V-027-472
15 cm / 6"



Cooley
V-027-473
17 cm / 6¾"

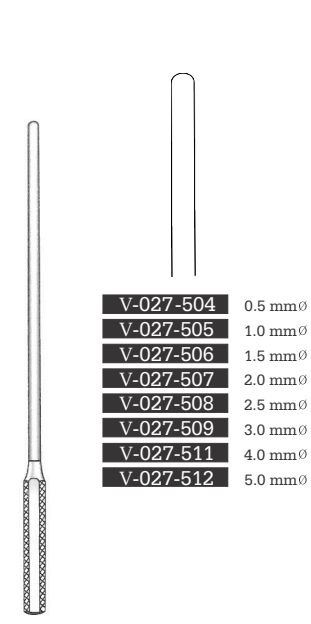


Cooley
V-027-655
30 cm / 12"
7 mm jaws length



Vascular Dilator

Vascular Dilators and Intima Spatula, Vascular Dissectors
 GefaBdilatoren und Intimaspatel, GefaBdissektoren
 Dilatadores vasculares Y Espatulas para la intima, Disecadores vasculares



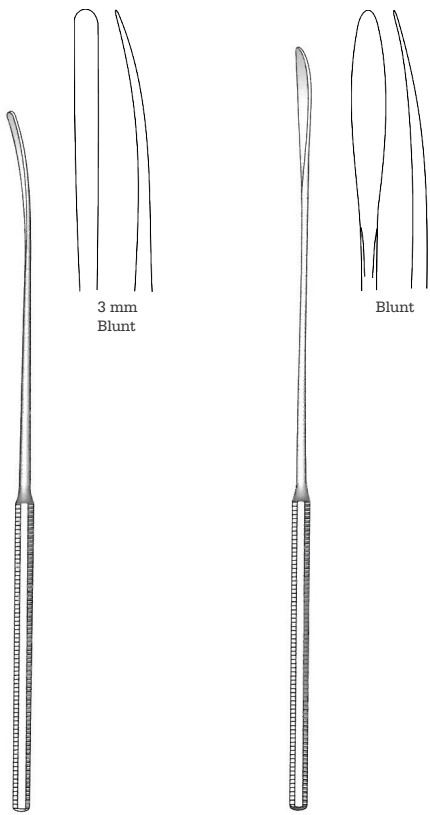
Cooley
 13 cm / 5¼"
 Malleable

- V-027-504 0.5 mm Ø
- V-027-505 1.0 mm Ø
- V-027-506 1.5 mm Ø
- V-027-507 2.0 mm Ø
- V-027-508 2.5 mm Ø
- V-027-509 3.0 mm Ø
- V-027-511 4.0 mm Ø
- V-027-512 5.0 mm Ø



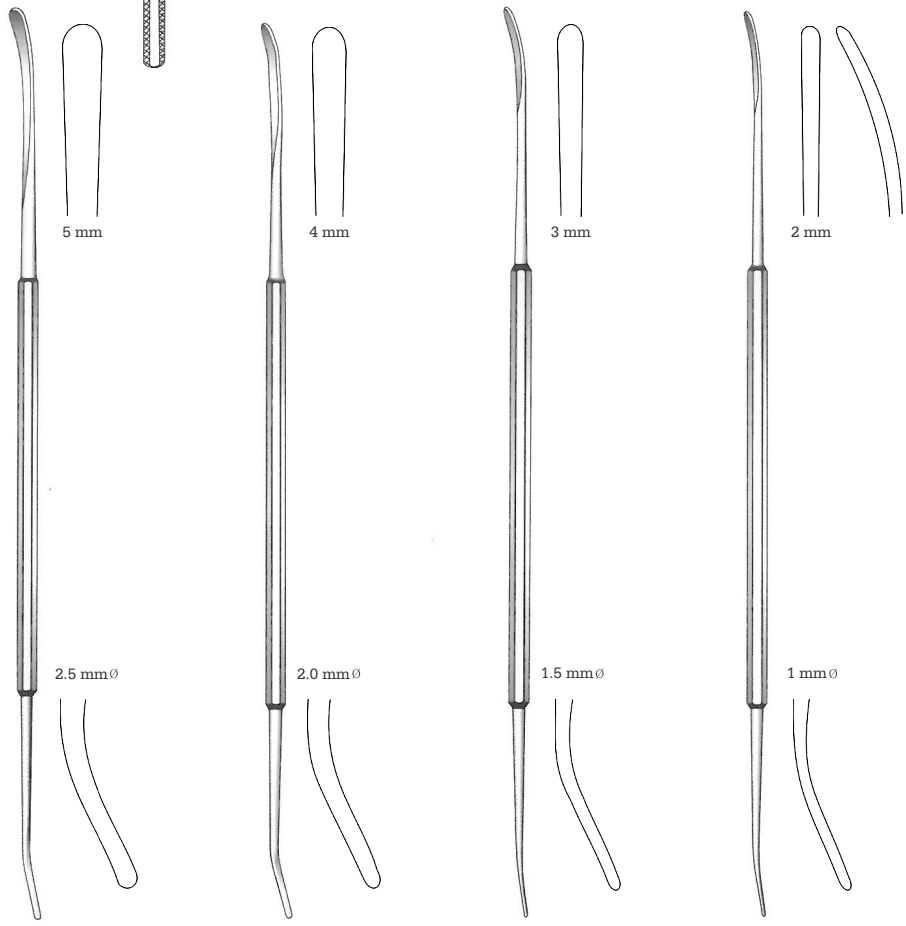
De Bakey
 Malleable

- | | | |
|-----------|-----------|----------|
| V-027-514 | V-027-528 | 0.5 mm Ø |
| V-027-515 | V-027-529 | 1.0 mm Ø |
| V-027-516 | V-027-531 | 1.5 mm Ø |
| V-027-517 | V-027-532 | 2.0 mm Ø |
| V-027-518 | V-027-533 | 2.5 mm Ø |
| V-027-519 | V-027-534 | 3.0 mm Ø |
| V-027-521 | V-027-535 | 3.5 mm Ø |
| V-027-522 | V-027-536 | 4.0 mm Ø |
| V-027-523 | V-027-537 | 4.5 mm Ø |
| V-027-524 | V-027-538 | 5.0 mm Ø |
| V-027-525 | V-027-539 | 7.0 mm Ø |
| V-027-526 | V-027-540 | 9.0 mm Ø |
- 19 cm / 7½" 35 cm / 14"



3 mm
Blunt

Blunt



5 mm

4 mm

3 mm

2 mm

Robb
V-027-555

Robb
V-027-556

Robb
V-027-557

Robb
V-027-558

24 cm / 9½"
Fig. 1

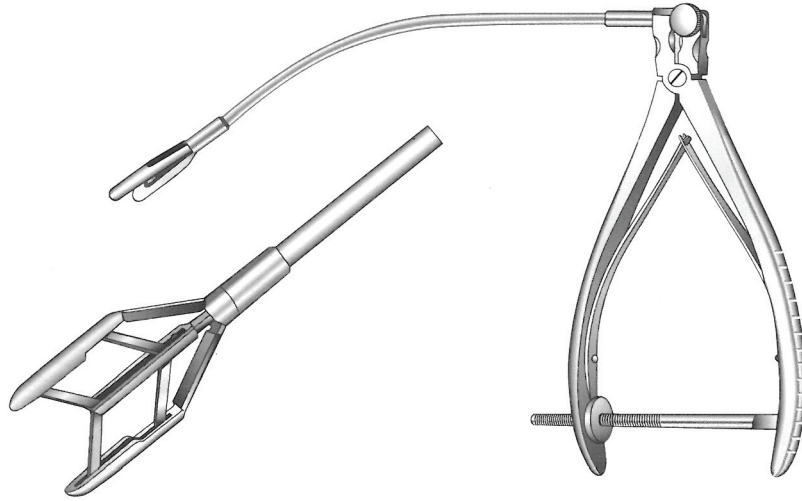
24 cm / 9½"
Fig. 2

24 cm / 9½"
Fig. 3

24 cm / 9½"
Fig. 4

- V-027-541 18.5 cm / 7¼"
- V-027-542 21.5 cm / 8¼"

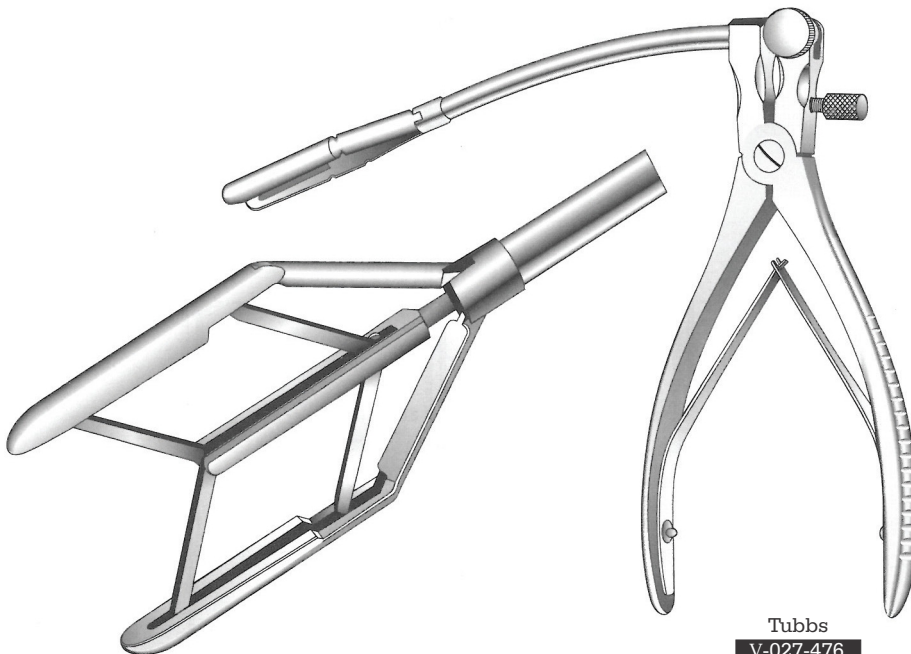
- V-027-543 14 cm / 5½"
- V-027-544 23 cm / 9"



Cooley

V-027-475

Blade opening from 8-15 mm
With thread fixation



Tubbs

V-027-476

Blade opening from 8-42 mm
With fixation screw



Serving Healthcare Since 1971

CONTACT US

Creative Industries Centre,
Glaisher Drive Wolverhampton Science Park,
Wolverhampton United Kingdom,
WV10 9TG

Email queries:

info@volmed.co.uk / sales@volmed.co.uk

www.volmed.co.uk